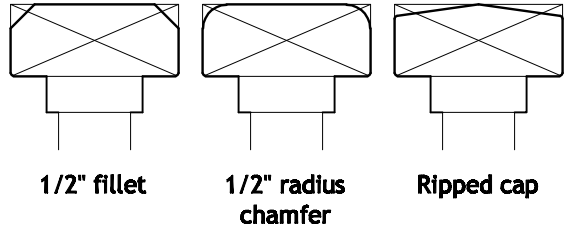
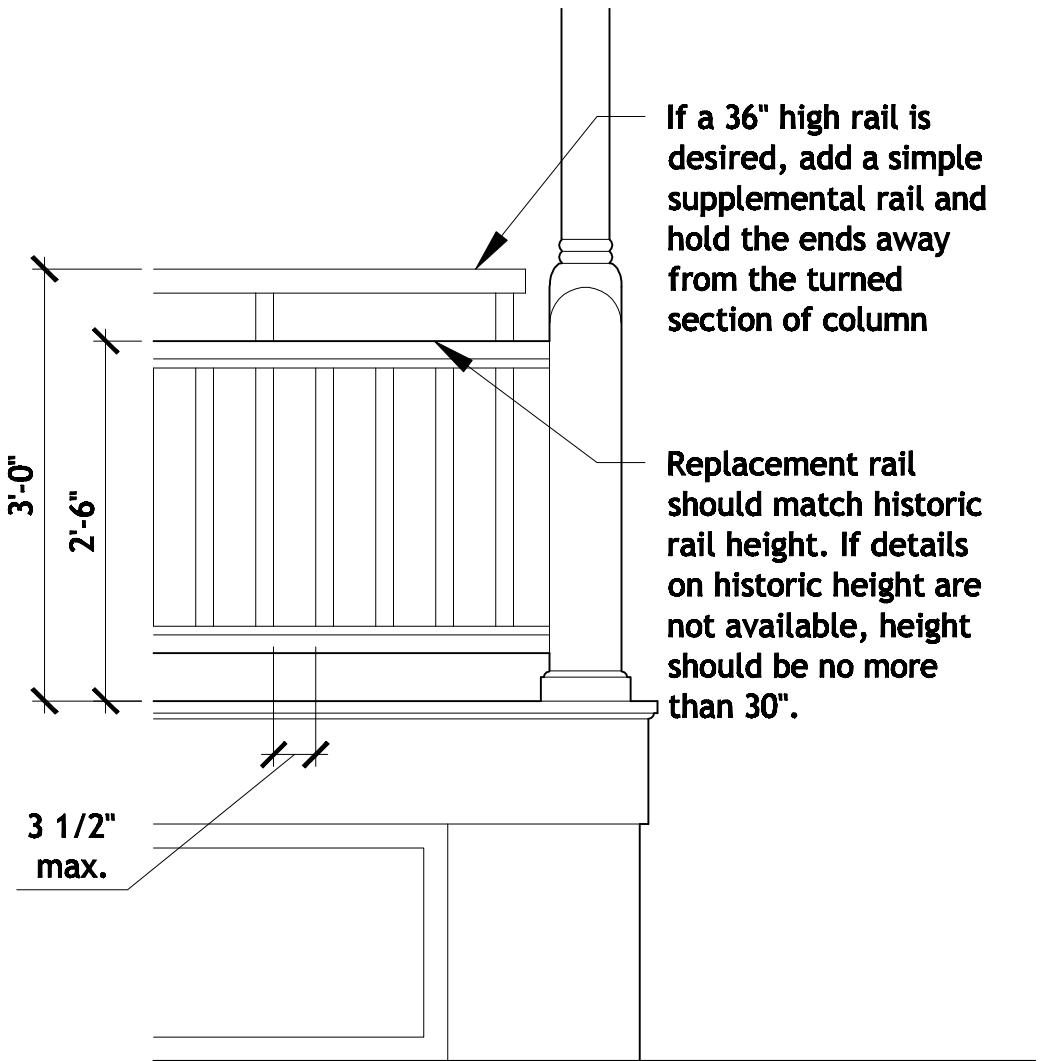


Modified 2x4 top rails



Dimensional lumber, such as a 2x4 may be used to form the top rail, but the profile must be modified to shed water.

Rail Section

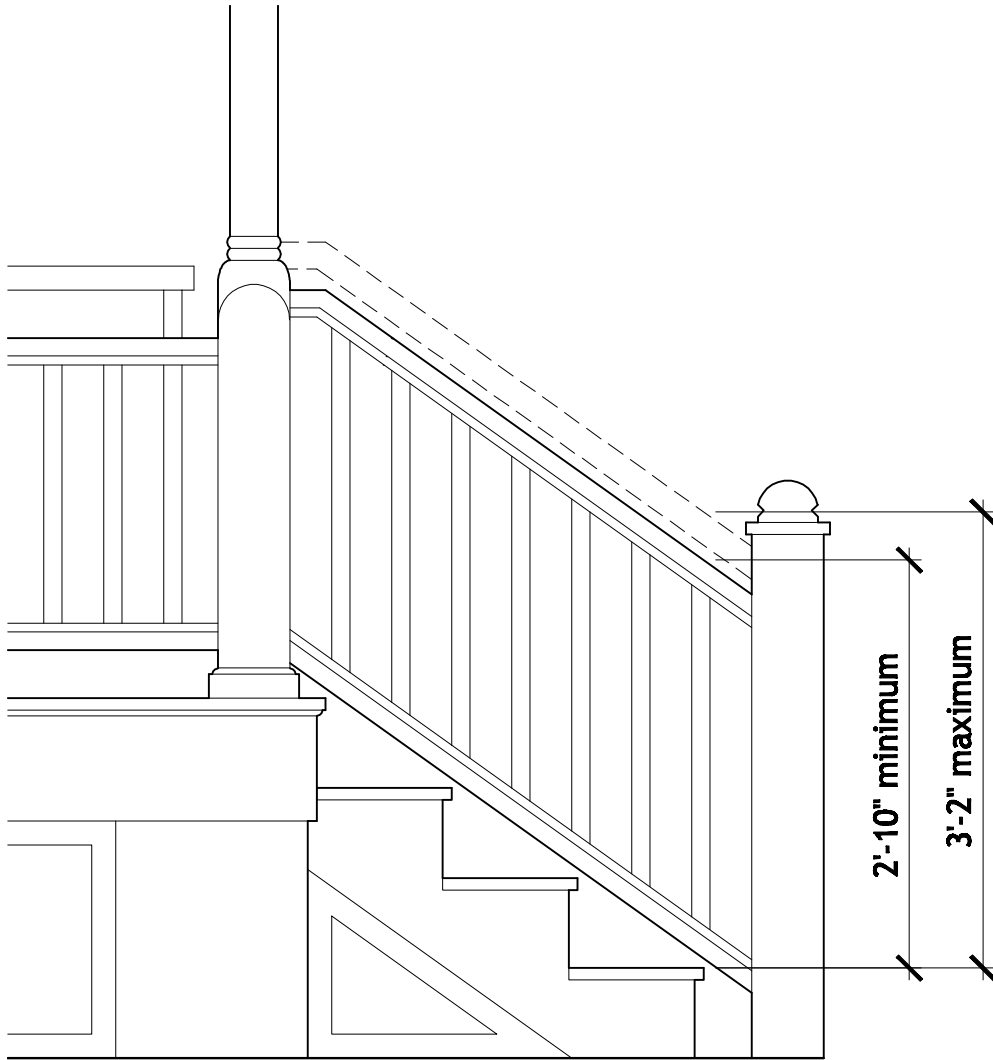


If a 36" high rail is desired, add a simple supplemental rail and hold the ends away from the turned section of column

Replacement rail should match historic rail height. If details on historic height are not available, height should be no more than 30".

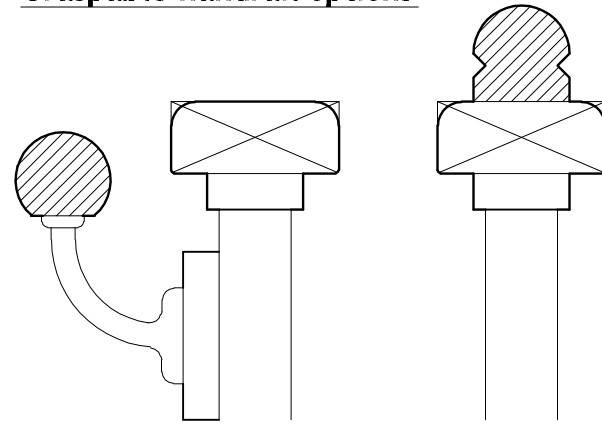
3 1/2" max.

Rail Elevation



Stair & Rail Elevation

Graspable handrail options



**Side
mounted**

**Top
mounted**

**City of Ann Arbor
Historic District Commission
Handrail guidelines**

