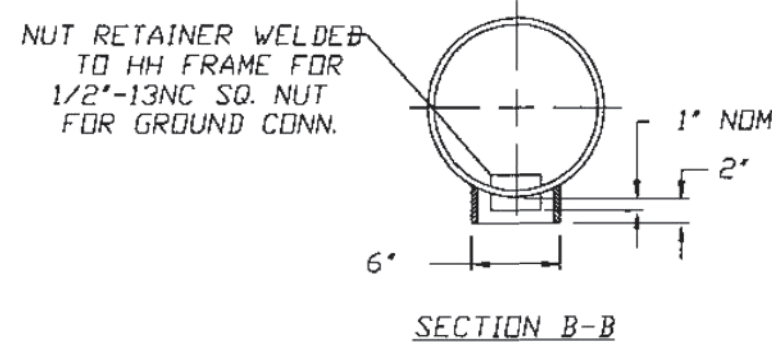
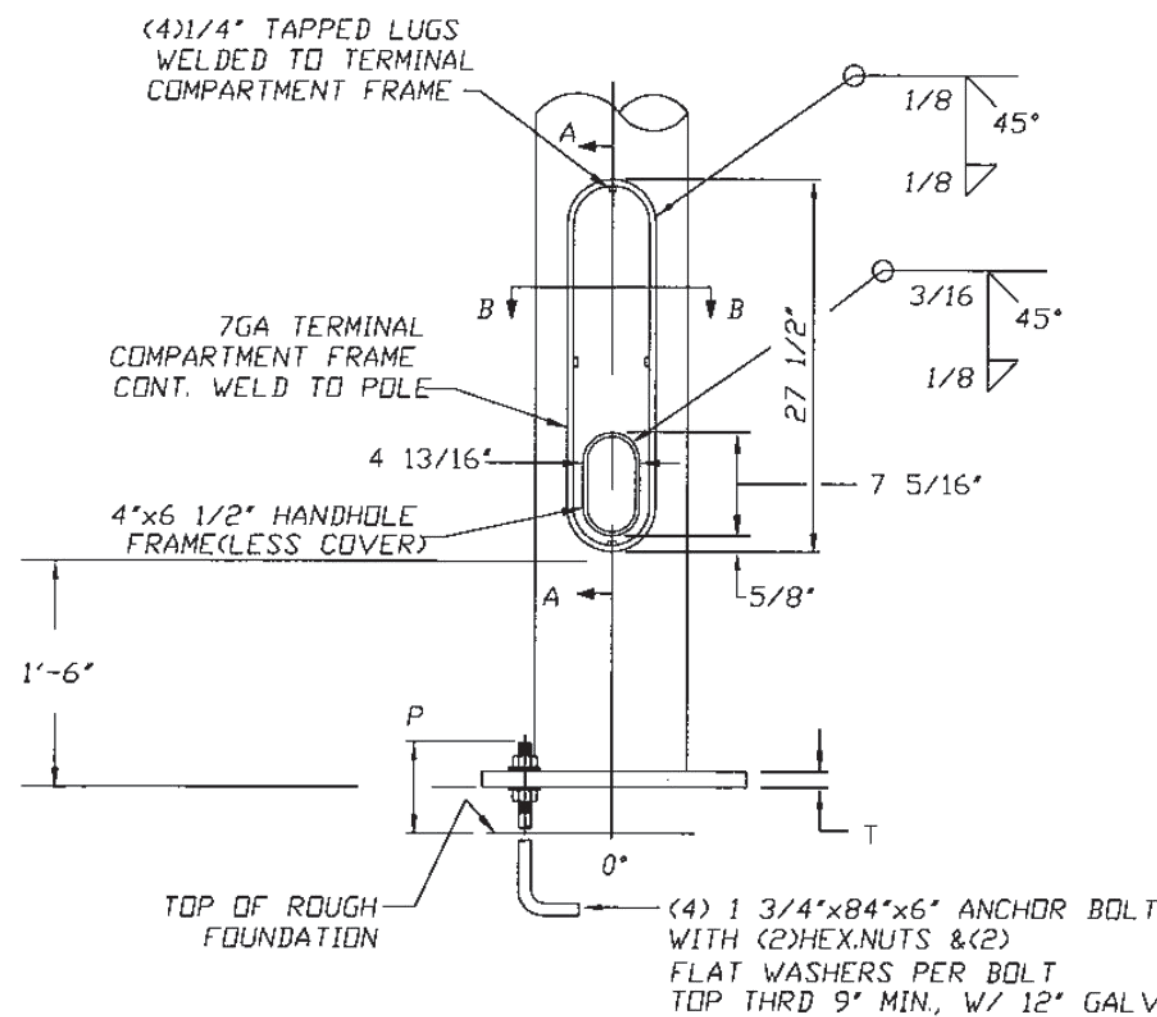


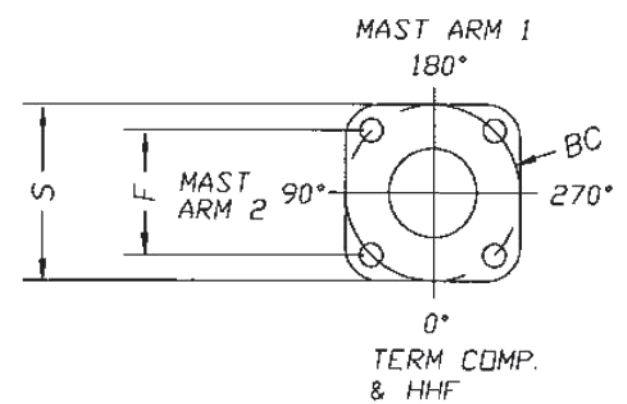
2-BOLT SIMPLEX LUMINAIRE ARM CONNECTION DETAIL



SECTION B-B



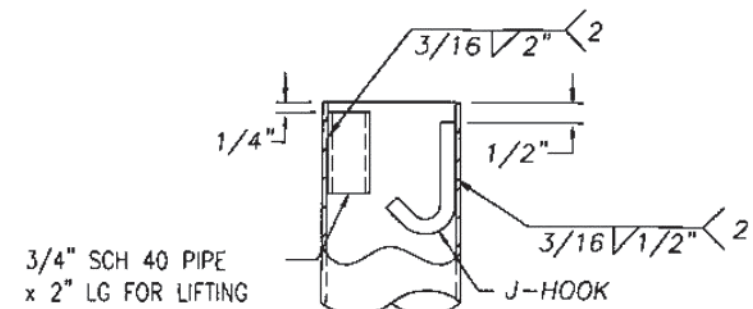
HANDHOLE & TERMINAL COMPARTMENT (COVER PL. & GASKET NOT SHOWN)



MAST ARM 1

MAST ARM 2

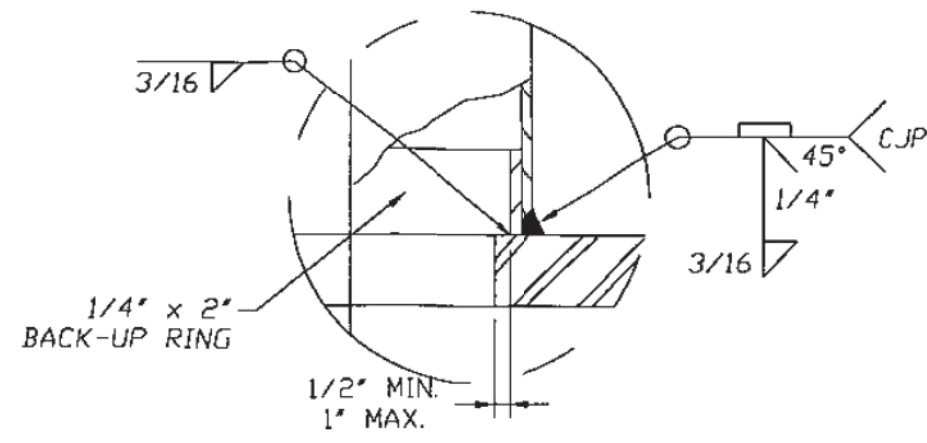
TERM COMP. & HH



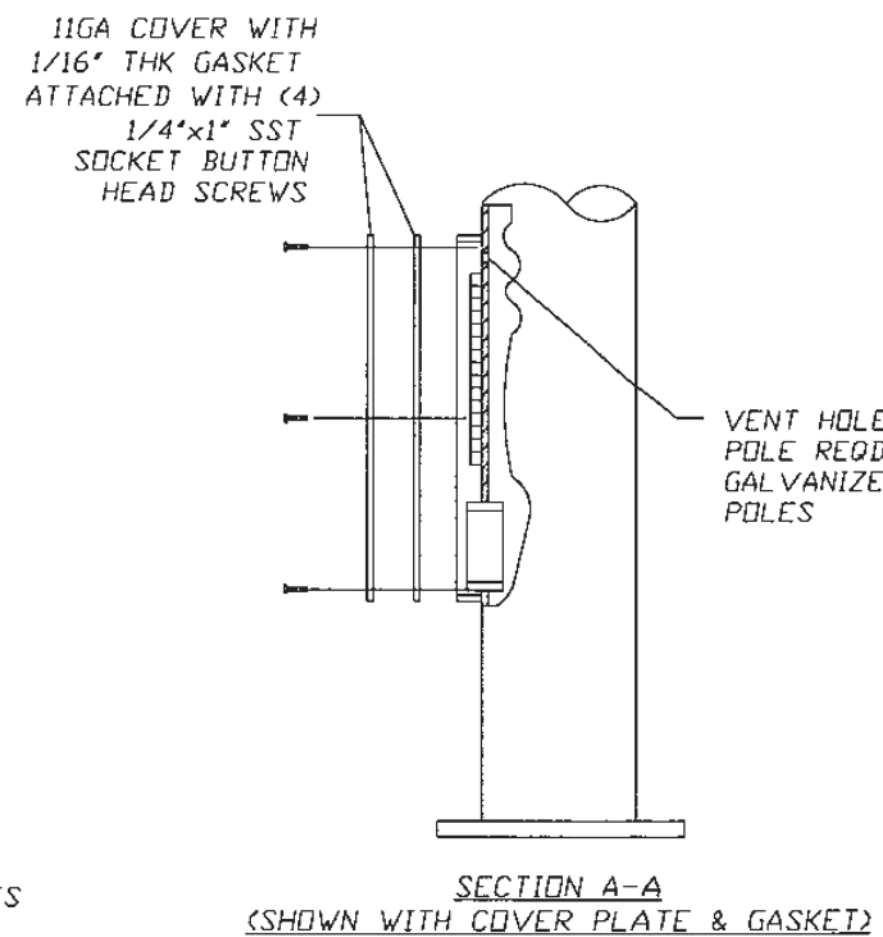
TOP OF POLE DETAIL

ORIENTATION OF PIPE & J-HOOK AS REQUIRED (J-HOOK & PIPE NOT REQ'D ON 20'-0" POLES)

DESIGN NUMBER	BOLT #	X	Y	W	H	APL	PPL	G
Y3-19	1 1/4	9	15	14 1/2	22	1 1/2	1 1/4	1/4
Y15	1 1/2	9	15	16	20	1 1/2	1 1/2	1/4



ARM PLATE & BASE PLATE WELDMENT DETAIL



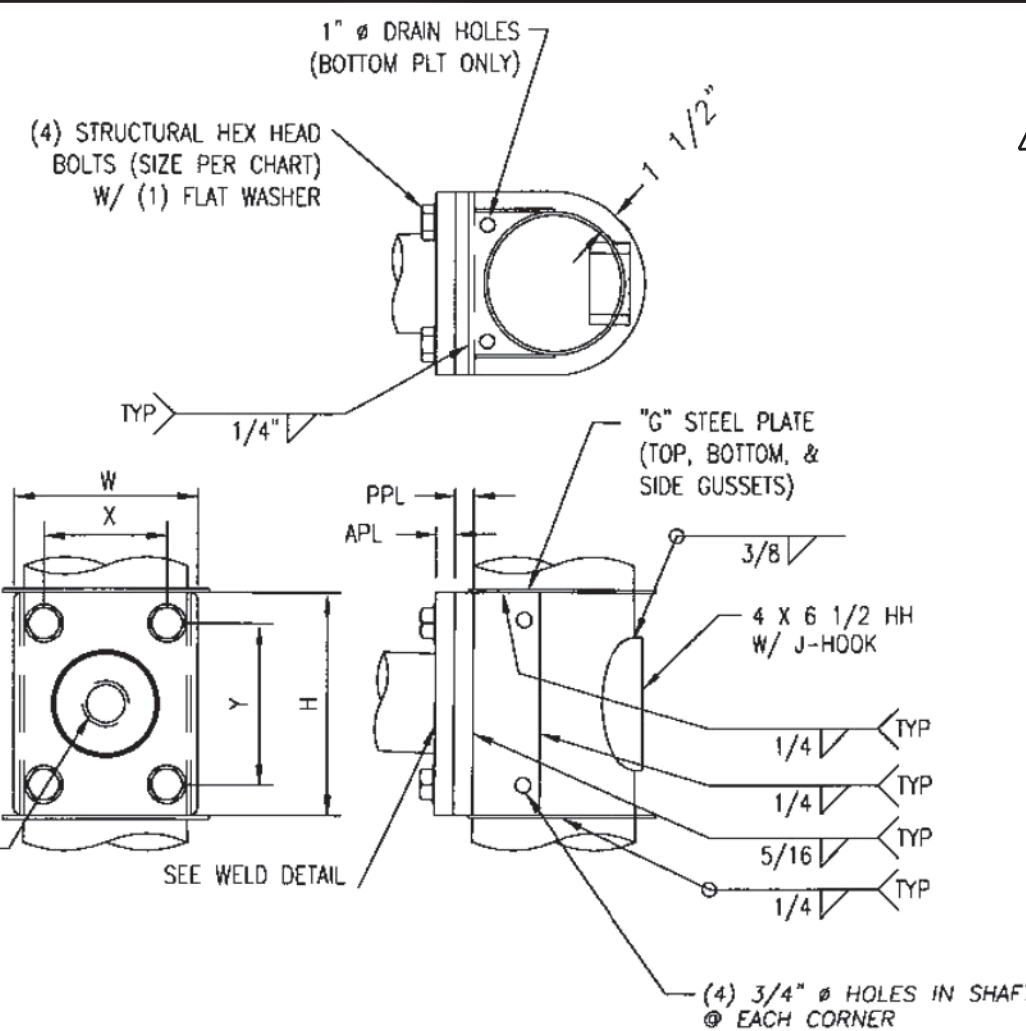
SECTION A-A (SHOWN WITH COVER PLATE & GASKET)

POLE #	POLE BASE CONNECTION DATA						ANCHOR BOLT SIZE
	B.C.	S	F	P	T		
14.00	18	18 1/2	12 3/4	7 1/4	1 3/4	1 3/4 x 84 x 6	
15.00	24	26 1/2	17	7 1/2	2	1 3/4 x 84 x 6	

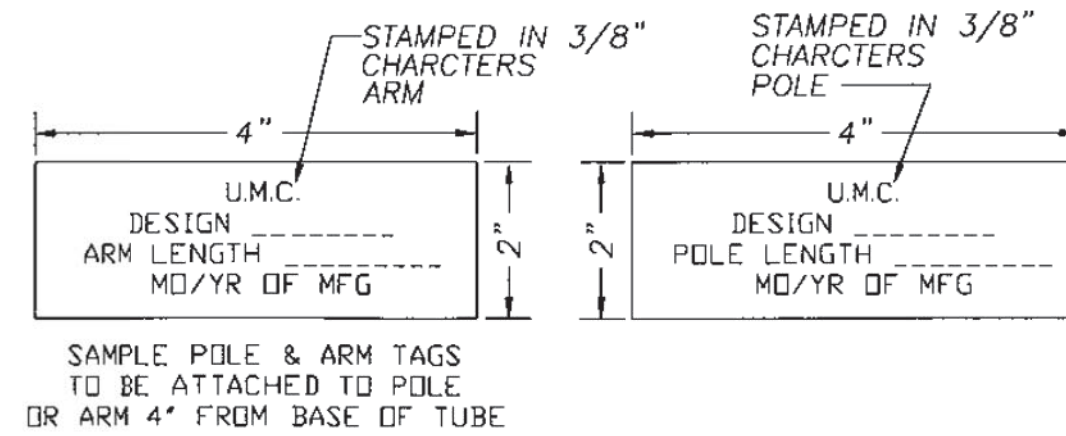
MATERIAL SPECIFICATIONS	
MONOTUBES	ASTM-A595 GRA min. 23% ELONGATION or 0.230<t<+ 0.3125
or t <0.230	ASTM-A572 GR55 min. 21% ELONGATION
	ASTM-A607 GR55 CLASS 2 /AKA/ ASTM-A1011 HSLAS GR55 CLASS 2 min. 22% ELONGATION (dual certification)
PLATE UNDER 1"	ASTM-A36
PLATE OVER 1"	ASTM-A572 GR. 42
HANDHOLE COVER	C1010 STEEL
HANDHOLE FRAME	ASTM A529 Gr 50 or ASTM A572 Gr 50 or ASTM A709 Gr 50
STRUCTURAL SHAPES	ASTM-A36
POLE TOP	ASTM-B26 (356F OR 43)
ANCHOR BOLTS	ASTM-A307 GR55, TOP END GALV. TO A153
A. BOLT NUTS	ASTM-A363 GR A GALV. TO A153
FLANGE BOLTS	ASTM-A449 GALV. TO A153
FL. BOLT NUTS	ASTM-A363 GR DH GALV. TO A153
FLAT WASHERS	ASTM-F436
SS-HARDWARE	AISI 300 SERIES (18-8)
FINISH-STRUCTURE	H.D. GALV.-ASTM-A123
FINISH-HARDWARE	H.D. GALV.-ASTM-A153

QTY.	ANN ARBOR SPEC	DESIGN NUMBER	POLE SIZE	LUM. ARM POLE PL.
2	TYPE II	50400-B83-Y2	OE-14.0x9.94x29'-0"	YES

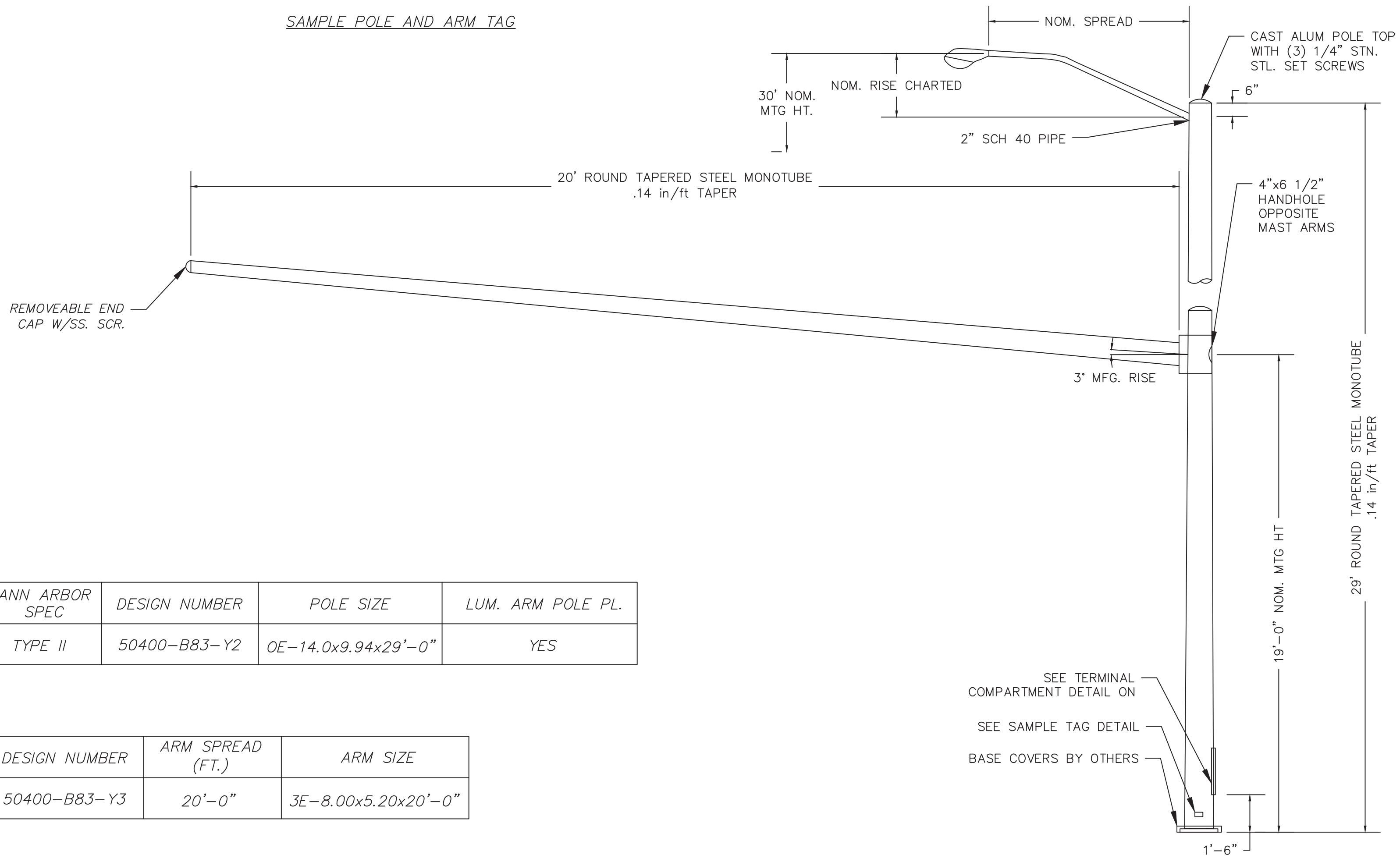
QTY.	DESIGN NUMBER	ARM SPREAD (FT.)	ARM SIZE
2	50400-B83-Y3	20'-0"	3E-8.00x5.20x20'-0"



SINGLE ARM CONNECTION



SAMPLE POLE AND ARM TAG

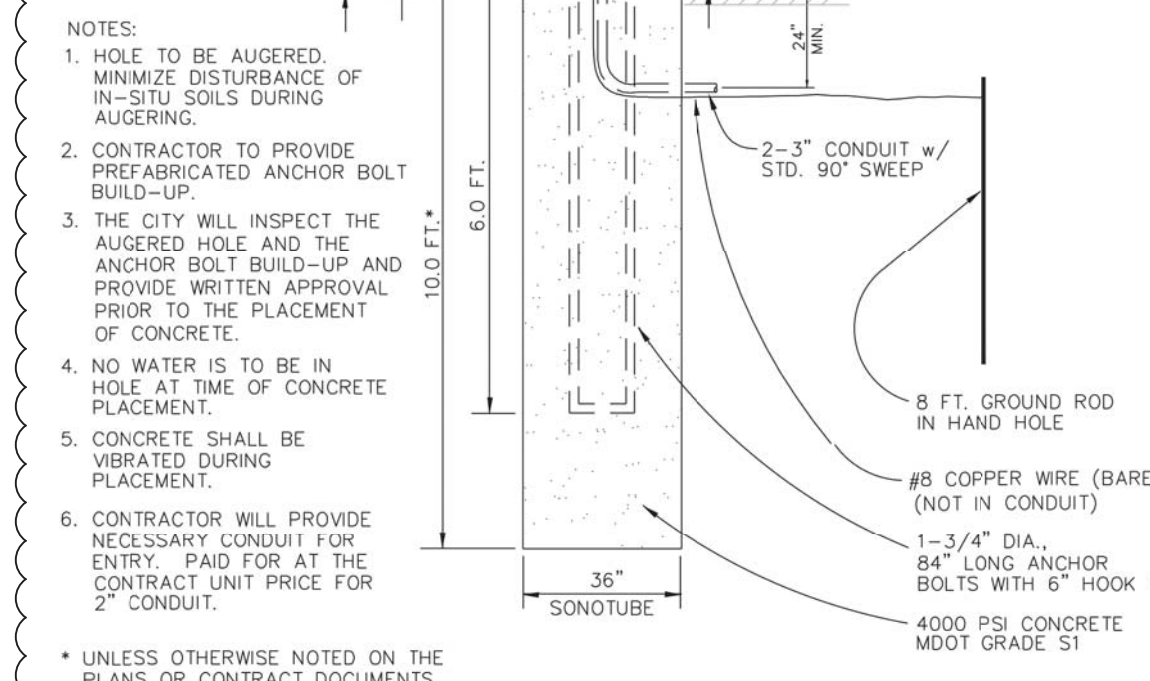


TRAFFIC SIGNAL POLE FOUNDATION DETAIL SD-SL-2

DESIGN CRITERIA

DESIGNED IN ACCORDANCE WITH AASHTO 4TH EDITION WITH 2003 INTERIM "STANDARD SPECIFICATIONS FOR STRUCTURAL SUPPORTS FOR HIGHWAY SIGNS, LUMINAIRES, AND TRAFFIC SIGNALS"

THE DESIGN PARAMETERS INCLUDE:  
 90 MPH WIND SPEED PER FIGURE 3-2  
 50 YEAR MINIMUM DESIGN LIFE PER TABLE 3-3  
 FATIGUE CATEGORY III CONSIDERATION FOR:  
 GALLOPING  
 TRUCK GUSTS (AT 65 MPH VEHICLE VELOCITY)  
 NATURAL WIND



NOTES:  
 1. HOLE TO BE AUGERED. MINIMIZE DISTURBANCE OF IN-SITU SOILS DURING AUGERING.  
 2. CONTRACTOR TO PROVIDE PREFABRICATED ANCHOR BOLT BUILD-UP.  
 3. THE CITY WILL INSPECT THE AUGERED HOLE AND THE ANCHOR BOLT BUILD-UP AND PROVIDE WRITTEN APPROVAL PRIOR TO THE PLACEMENT OF CONCRETE.  
 4. NO WATER IS TO BE IN HOLE AT TIME OF CONCRETE PLACEMENT.  
 5. CONCRETE SHALL BE VIBRATED DURING PLACEMENT.  
 6. CONTRACTOR WILL PROVIDE NECESSARY CONDUIT FOR ENTRY. PAID FOR AT THE CONTRACT UNIT PRICE FOR 2" CONDUIT.  
 \* UNLESS OTHERWISE NOTED ON THE PLANS OR CONTRACT DOCUMENTS

811 Know what's below. Call before you dig.

ADDENDUM No. 3

REV.	DATE	DESCRIPTION	DRAWN	CHECKED
CEH	MAY 21, 2015	ALP/ANN		
CEH	APR. 22, 2015	ALP/ANN		
CEH	MAR. 26, 2015	ALP/ANN		
CEH	MAR. 13, 2015	ALP/ANN		
CEH	JAN. 29, 2015	ALP/ANN		

CITY OF ANN ARBOR PUBLIC SERVICES 301 EAST HURON STREET ANN ARBOR, MI 48107-8647 www.a2gov.org

PROJECT MANAGEMENT - PUBLIC SERVICES - CITY OF ANN ARBOR  
 GEDES AVENUE IMPROVEMENTS  
 MAST ARM DETAILS

SCALE NO. SCALE  
 SHEET No. 148 OF 187  
 ADD-3-Sheet 1