

CITY OF ANN ARBOR

FIELD OPERATIONS

TRAVER STREET

STORM SEWER

FEBRUARY 2015

CITY ITB No. 4365

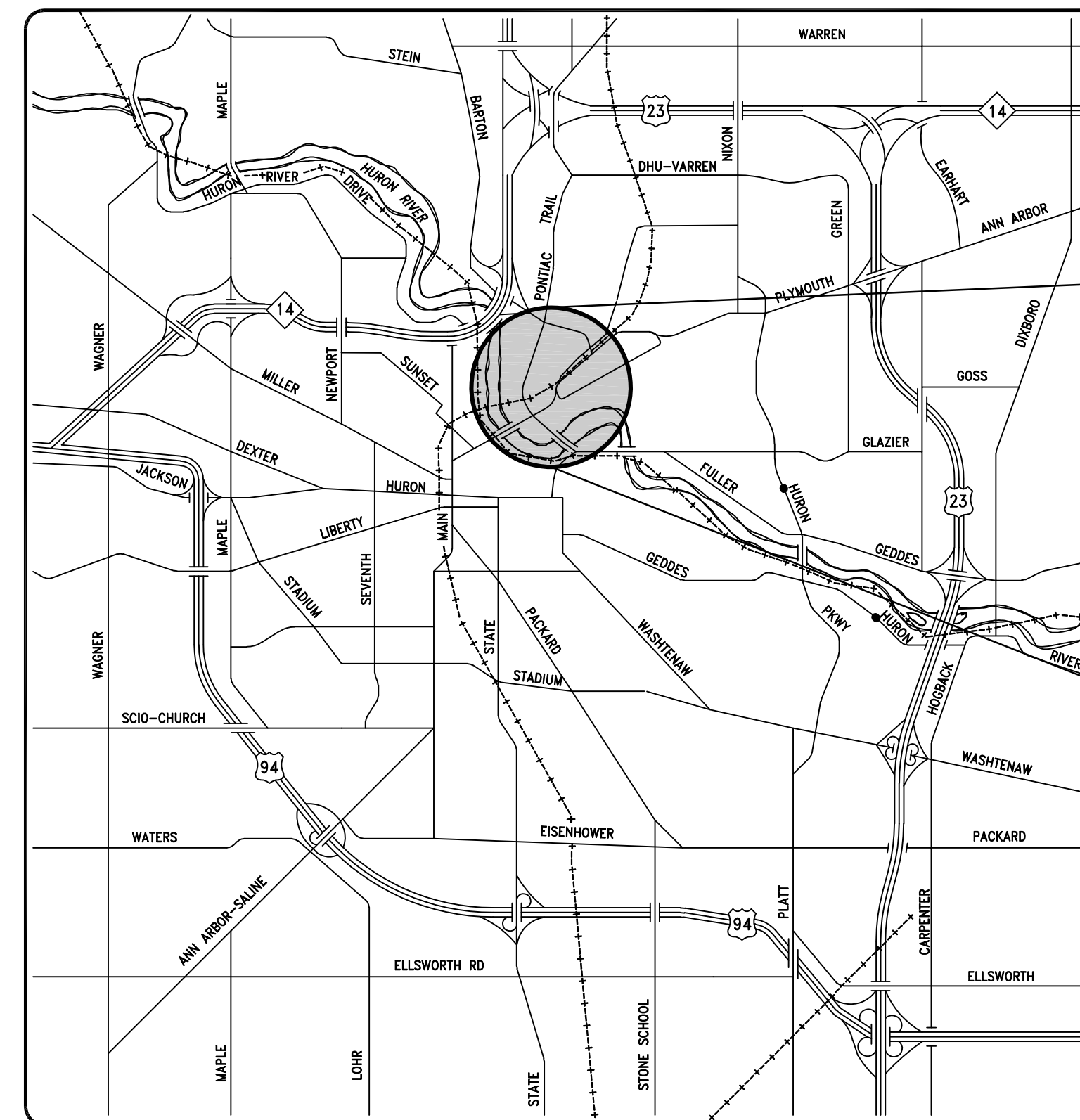
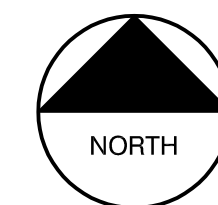
STANTEC FILE No. 2075090900 TASK 217

SHEET INDEX		
SHEET	DRAWING No.	TITLE
1	G-01	COVER SHEET
2	G-02	GENERAL NOTES AND LEGEND
3	G-03	STANDARD DETAILS SHEET
4	C-01	STORM SEWER PLAN & PROFILE

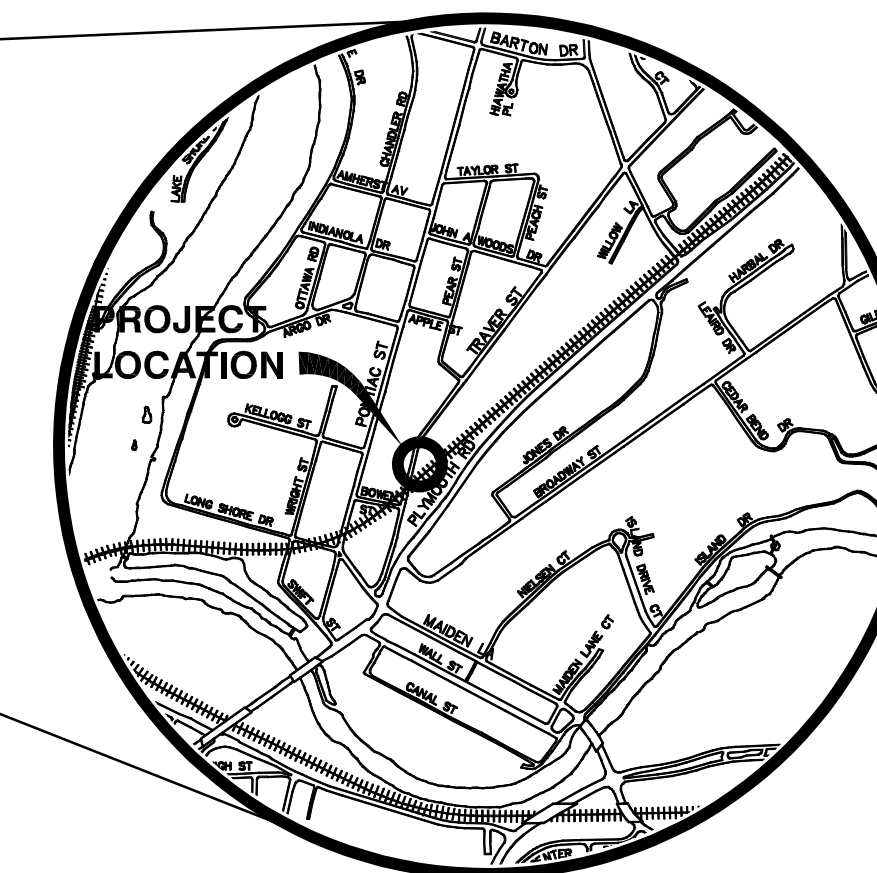
PERMITS REQUIRED TO BE OBTAINED BY THE CONTRACTOR PRIOR TO THE BEGINNING OF CONSTRUCTION. CONTRACTOR IS RESPONSIBLE FOR THESE PERMIT FEES.	
PERMIT	ISSUING AUTHORITY
LANE CLOSURE PERMIT	CITY OF ANN ARBOR PROJECT MANAGEMENT UNIT
GRADING/SOIL EROSION & SEDIMENTATION CONTROL PERMIT	CITY OF ANN ARBOR PLANNING AND DEVELOPMENT SERVICES UNIT
RIGHT-OF-WAY PERMIT	CITY OF ANN ARBOR PLANNING AND DEVELOPMENT SERVICES UNIT

PERMITS REQUIRED TO BE OBTAINED BY THE CITY OF ANN ARBOR PRIOR TO THE BEGINNING OF CONSTRUCTION. THE CITY IS RESPONSIBLE FOR THESE PERMIT FEES.	
PERMIT	ISSUING AUTHORITY
PIPE/WIRE OCCUPATIONS	ANN ARBOR RAILROAD

THE FOLLOWING UTILITIES ARE LOCATED IN OR NEAR THE RIGHT-OF-WAY FOR THIS PROJECT		
PUBLIC UTILITIES	OWNER	CONTACT
WATER SEWER STORM	CITY OF ANN ARBOR FIELD OPERATIONS SERVICE UNIT W.R. WHEELER SERVICE CENTER 4251 STONE SCHOOL ROAD ANN ARBOR, MI 48108	DAN WOODEN (734) 794-6350 MARK COZART (734) 794-6350 KEVIN ERNST (734) 794-6350
SIGNS SIGNALS STREET LIGHTS		CHUCK FOJTIK (734) 794-6361
PRIVATE UTILITIES	OWNER	CONTACT
GAS	DTE ENERGY 17150 ALLEN ROAD MELVINDALE, MI 48122	JAY WILLIAMS (313) 380-7303
ELECTRIC	DTE ENERGY WESTERN WAYNE SERVICE CENTER 8001 HAGGERTY ROAD BELLEVILLE, MI 48111	CLAY COMBEE (734) 397-4112
CABLE	COMCAST 27800 FRANKLIN ROAD SOUTHFIELD, MI 48034	RON SUTHERLAND (313) 999-8300
PHONE	AT&T 550 S. MAPLE ROAD ANN ARBOR, MI 48103	BRIAN BERRY (734) 996-2135
PHONE	MCI 2800 N. GLENFILLE ROAD RICHARDSON, TX 75082	DEAN BOYERS (972) 729-6016



VICINITY MAP



LOCATION MAP

THE CONSTRUCTION COVERED BY THESE PLANS SHALL CONFORM TO THE 1994 EDITION OF THE CITY OF ANN ARBOR PUBLIC SERVICES DEPARTMENT STANDARD SPECIFICATIONS AND ITS DETAILS WHICH ARE INCLUDED BY REFERENCE.

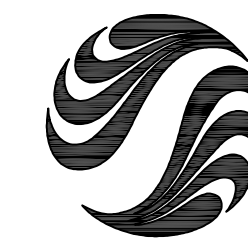
THE OMISSION OF ANY CURRENT STANDARD DETAIL DOES NOT RELIEVE THE CONTRACTOR FROM THIS REQUIREMENT. THE WORK SHALL BE PERFORMED IN COMPLETE CONFORMANCE WITH THE CURRENT PUBLIC SERVICES STANDARD SPECIFICATIONS AND DETAILS.

FOR PROTECTION OF UNDERGROUND UTILITIES AND IN CONFORMANCE WITH PUBLIC ACT 53, THE CONTRACTOR SHALL CALL 811 OR 1-800-482-7171 A MINIMUM OF THREE FULL WORKING DAYS, EXCLUDING SATURDAYS, SUNDAYS, AND HOLIDAYS PRIOR TO BEGINNING EACH EXCAVATION IN AREAS WHERE PUBLIC UTILITIES HAVE NOT BEEN PREVIOUSLY LOCATED. MEMBERS WILL THUS BE ROUTINELY NOTIFIED. THIS DOES NOT RELIEVE THE CONTRACTOR OF THE RESPONSIBILITY OF NOTIFYING UTILITY OWNERS WHO MAY NOT BE A PART OF THE "MISS DIG" ALERT SYSTEM.



Know what's Below.
CALL before you dig.

PREPARED BY:

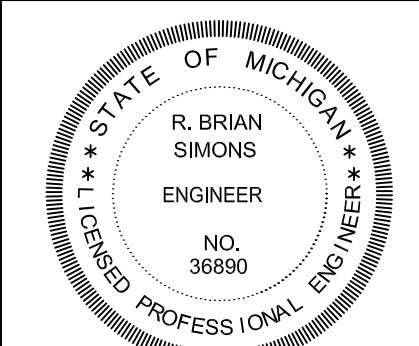


Stantec

Stantec Consulting Michigan Inc.
3959 Rancho Drive
Ann Arbor MI U.S.A.
48108-2771
Tel. 734.761.1010
Fax. 734.761.1200
www.stantec.com

PREPARED UNDER THE SUPERVISION OF

R. Brian Simons
R. BRIAN SIMONS, P.E., - MI LICENSE No. 36890
STANTEC, PROJECT ENGINEER
02/05/2015
DATE



CITY DEPARTMENTAL REVIEW							
SURVEY	REVIEW ENGINEER	FIELD OPERATIONS	C.E.S. SUPERVISOR	TRAFFIC	SOIL EROSION	STORM WATER/FLOODPLAIN	DRAWING No. 2075090900 - G-01
							SHEET No. 1 OF 4

PROJECT NAME: TRAVER STREET STORM SEWER

V:\2075\active\2075090900\Task 217 Traver St Storm\C3D\drawing\G-01.dwg Dwg Created: 27-Oct-11 - _a2_standard.stb - Plot Date: 5-Feb-15

EXISTING	EXISTING	EXISTING
WATER SYMBOLS	MISC. SYMBOLS	UTILITY LINETYPES
FIRE HYDRANT GATE VALVE IN BOX GATE VALVE IN WELL STOP BOX WATER VAULT WELL	UNKNOWN MANHOLE TELEPHONE MANHOLE TELEPHONE RISER GAS VALVE GAS VENT GAS BOX ELECTRICAL RISER TRANSFORMER UTILITY POLE LAMP POLE GUY ANCHOR GUY POLE MONITORING WELL MAILBOX SOIL BORING	WATER MAIN STORM SEWER SANITARY SEWER GAS MAIN MISC. LINETYPES BOUNDARY BUILDING CENTERLINE OF DITCH CENTERLINE OF ROAD EDGE OF WATER FENCE GRAVEL R.O.W. TREELINE WETLAND
STORM SYMBOLS		HATCHING
CATCH BASIN (SQ) CATCH BASIN (RD) STORM MANHOLE NON-CURB CATCH BASIN (SQ)		ASPHALT BUILDING CONCRETE GRAVEL WETLAND
SANITARY SYMBOLS		
SANITARY MANHOLE CLEAN-OUT		
VEGETATION SYMBOLS		
TREE (DECIDUOUS) TREE (CONIFEROUS) STUMP SHRUB (DECIDUOUS)		
TRAFFIC SYMBOLS	SURVEY SYMBOLS	
POST PEDESTRIAN SIGNAL SIGN HAND HOLE ORNAMENTAL LIGHT FLOOD LIGHT	TRAVERSE POINT BENCH MARK IRON PIPE MON BOX	

PROPOSED	PROPOSED
WATER SYMBOLS	UTILITY LINETYPES
HYDRANT (PROFILE) HYDRANT (PLAN) WATER GATE WELL WATER GATE VALVE WATER STOP BOX WATER VAULT	WATER MAIN STORM SEWER SANITARY SEWER MISC. LINETYPES BUILDING CENTERLINE OF DITCH CENTERLINE OF ROAD FENCE SILT FENCE LOT/UNIT PHASE LINE CURB TEMPORARY GRADING PERMIT WATER EASEMENT STORM EASEMENT SANITARY EASEMENT R.O.W.
STORM SYMBOLS	HATCHING
INLET DOUBLE INLET INLET JUNCTION CHAMBER ROUND CATCH BASIN STORM MANHOLE DRAIN ARROW FLARED END SECTION (PLAN) FLARED END SECTION (PROFILE)	ASPHALT CONCRETE SIDEWALK GRAVEL PAVEMENT/WALK REMOVAL CURB REMOVAL
SANITARY SYMBOLS	
SANITARY MANHOLE CLEAN-OUT	
VEGETATION SYMBOLS	
TREE (DECIDUOUS) TREE (CONIFEROUS)	
TRAFFIC SYMBOLS	
BARREL SIGN PUSH BUTTON DETECTABLE WARNING	

SOIL EROSION CONTROL NOTES:

- GENERAL:**
- THE CONTRACTOR SHALL IMPLEMENT AND MAINTAIN THE SOIL EROSION CONTROL MEASURES AS SHOWN ON THE PLANS AT ALL TIMES DURING CONSTRUCTION ON THIS PROJECT. ANY MODIFICATIONS OR ADDITIONS TO THE SOIL EROSION CONTROL MEASURES DUE TO CONSTRUCTION OR CHANGED CONDITIONS SHALL BE COMPLIED WITH AS REQUIRED OR DIRECTED BY THE OWNER, PROJECT ENGINEER, OR THE CITY OF ANN ARBOR. THE CONTRACTOR IS REQUIRED TO OBTAIN A SOIL EROSION CONTROL PERMIT ANYTIME THE DISTURBED AREA EXCEEDS 1 ACRE.
 - ALL SOIL EROSION AND SEDIMENTATION CONTROL WORK SHALL CONFORM TO THE PERMIT REQUIREMENTS OF THE CITY OF ANN ARBOR, CHAPTER 63, AND THE LAWS OF THE STATE OF MICHIGAN.
 - DAILY OR AFTER STORM EVENTS INSPECTIONS SHALL BE MADE BY THE CONTRACTOR. PERIODIC INSPECTIONS MAY BE MADE BY THE OWNER/PROJECT ENGINEER TO DETERMINE THE EFFECTIVENESS OF EROSION AND SEDIMENTATION CONTROL MEASURES. ANY NECESSARY CORRECTIONS SHALL BE MADE WITHOUT DELAY AND WITHOUT ADDITIONAL COST TO THE OWNER.
 - EROSION AND SEDIMENTATION FROM WORK ON THE SITE SHALL BE CONTAINED ON THE SITE AND NOT BE ALLOWED TO COLLECT ON ANY OFF-SITE AREAS OR WATERWAYS.
 - ALL MUD/DIRT TRACKED ONTO ROADS FROM THE SITE DUE TO CONSTRUCTION, SHALL BE PROPERTY REMOVED BY THE CONTRACTOR. IF SO ORDERED, THE CONTRACTOR SHALL EMPLOY A MECHANICAL STREET SWEEPER AT NO ADDITIONAL COST TO THE OWNER.
 - RESTORATION OF ALL DISTURBED AREAS, INCLUDING PLACEMENT OF TOPSOIL, SEED, FERTILIZER AND MULCH AND/OR SOD SHALL BE DONE WITHIN 5 DAYS OF THE COMPLETION OF FINAL GRADE.
 - CONSTRUCTION OPERATIONS SHALL BE SCHEDULED AND PERFORMED SO THAT PREVENTATIVE SOIL EROSION CONTROL MEASURES ARE IN PLACE PRIOR TO EXCAVATION IN CRITICAL AREAS AND TEMPORARY STABILIZATION MEASURES ARE IN PLACE IMMEDIATELY FOLLOWING BACKFILLING OPERATIONS.
 - SPECIAL PRECAUTIONS WILL BE TAKEN IN USE OF CONSTRUCTION EQUIPMENT TO PREVENT SITUATIONS THAT PROMOTE EROSION.
 - PROPER DUST CONTROL SHALL BE MAINTAINED DURING CONSTRUCTION BY USE OF WATER TRUCKS AND/OR CHLORIDE AS REQUIRED OR AS DIRECTED BY ENGINEER.
 - THE CONTRACTOR SHALL BE RESPONSIBLE FOR MAINTAINING ALL TEMPORARY SOIL EROSION CONTROL MEASURES AND REMOVAL OF SOME UPON AUTHORIZED COMPLETION OF THE PROJECT. COMPLETION OF PROJECT WILL NOT BE AUTHORIZED UNTIL ALL SITE WORK AND UTILITY CONSTRUCTION IS COMPLETE AND ALL SOILS ARE STABILIZED.
 - THE CONTRACTOR SHALL NOT GRADE INTO ADJACENT PROPERTIES. SILT FENCE SHALL BE INSTALLED AND MAINTAINED TO PREVENT GRADING, EROSION AND SEDIMENTATION INTO THEM.
 - TREE PROTECTION FENCING MUST REMAIN INTACT UNTIL RESTORATION OF THE SITE IS COMPLETE.
 - CONTRACTOR SHALL EXERCISE CAUTION WHILE WORKING IN THE VICINITY OF THE PROPOSED STORM SEWER OUTLET SO AS TO AVOID CAUSING DAMAGE TO THE ADJACENT WETLAND AND POND AREA. ANY DAMAGE TO THE WETLAND OR POND SHALL BE RESTORED TO A CONDITION EQUAL OR BETTER THAN THE PRE-CONSTRUCTION CONDITION AT NO COST TO THE OWNER.

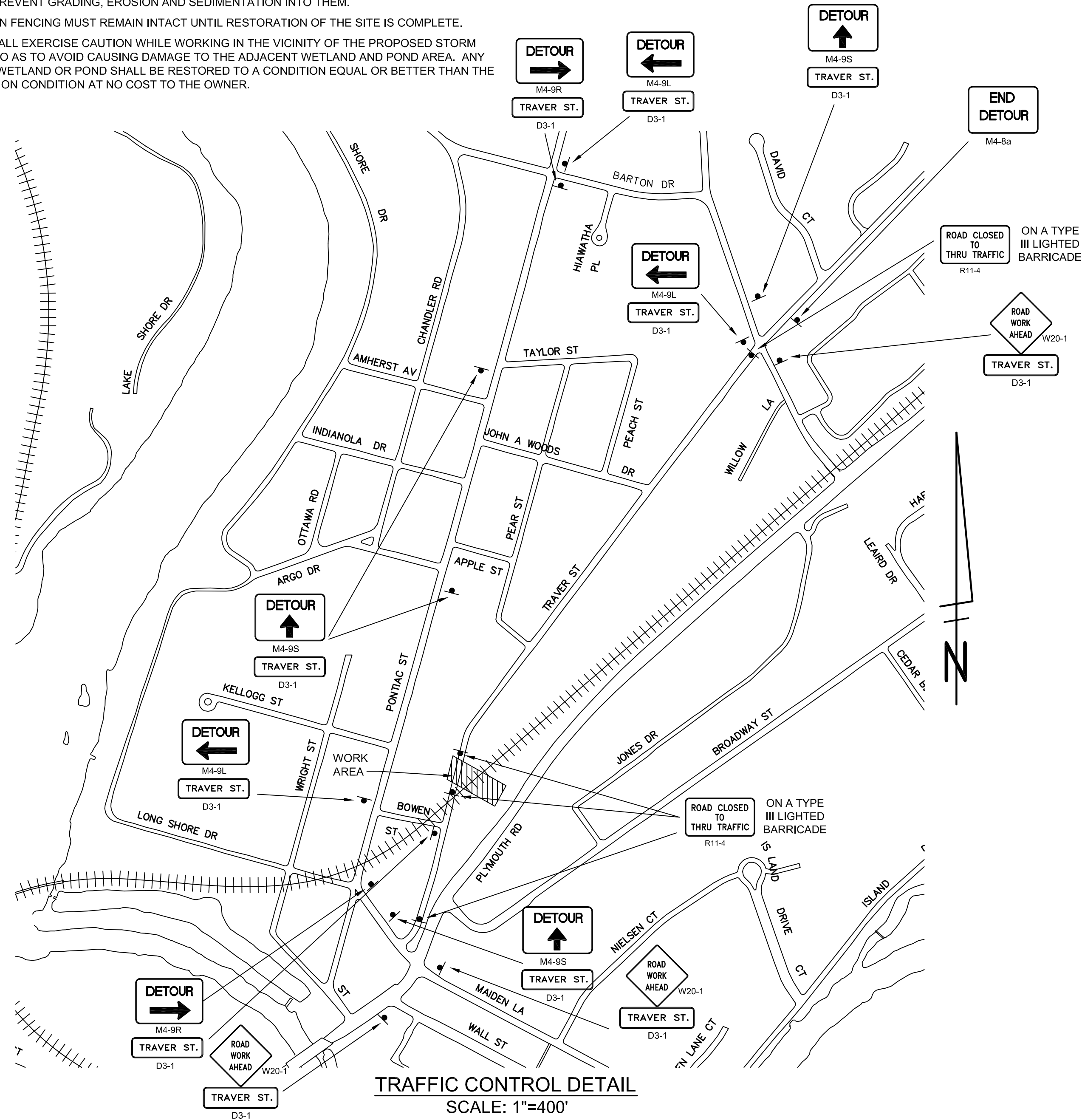
- SEQUENCE OF EROSION CONTROL:**
- INSTALL SILT FENCE, TREE PROTECTION FENCING AND INLET FILTERS ON EXISTING STORM INLETS PRIOR TO ANY CLEARING OR EARTH MOVING OPERATION.
 - CONTRACTOR TO CONTINUALLY MAINTAIN EROSION AND SEDIMENTATION CONTROL MEASURES, AS REQUIRED TO ALLOW DRAINAGE AND SEDIMENT REMOVAL. REMOVE ANY ACCUMULATED SEDIMENT.
 - STRIP AND CLEAR - MAINTAIN EROSION CONTROL MEASURES AROUND TEMPORARY STOCK PILES.
 - ROUGH GRADE.
 - ENSURE ALL SOIL IS STABILIZED. REMOVE ALL TEMPORARY SOIL EROSION CONTROL MEASURES.
- TEMPORARY SEEDING:**
- SEED IN ACCORDANCE WITH PROJECT DRAWINGS AND SPECIFICATIONS.
 - ANY DISTURBED AREA NOT PAVED, SEEDED, MULCHED, SODDED OR BUILT UPON BY NOVEMBER 15TH OR JUNE 30TH IS TO BE TEMPORARILY STABILIZED PER SPECIFICATIONS.
- ROAD:**
- DURING CONSTRUCTION, ALL ROADS SHALL BE PROTECTED FROM UNVEGETATED AREAS WASHING ONTO ROAD SURFACE BY PLACEMENT OF SILT FENCE BEHIND CURB OR A 10 FOOT WIDE STRAW MULCH BLANKET BEHIND CURB OR OTHER APPROVED METHOD AND/OR AS SHOWN ON THE PLANS.
 - DURING CONSTRUCTION OF ANY PORTION OF THE PROJECT, ADJOINING ROADS SHALL BE MAINTAINED FREE OF DIRT, SILT AND CONSTRUCTION DEBRIS. CONTRACTOR REQUIRED TO USE VACUUM SWEEPER EQUIPMENT FOR CLEANING CONSTRUCTION SITE AND ADJOINING ROADS. THE USE OF BROOM SWEEPER IS NOT PERMITTED.
- CATCH BASIN/MANHOLE PROTECTION:**
- PROTECT STORM SEWER CATCH BASINS WITH APPROVED INLET FILTERS.

TRAFFIC CONTROL NOTES:

- THE CONTRACTOR SHALL GIVE ADVANCE NOTICE OF CONSTRUCTION TO THE CITY OF ANN ARBOR AT LEAST SEVEN (7) DAYS PRIOR TO THE BEGINNING OF CONSTRUCTION.
- THE CONTRACTOR SHALL FURNISH, INSTALL AND MAINTAIN ALL NECESSARY TRAFFIC CONTROLS AND PROTECTION DURING THE ENTIRE PERIOD OF CONSTRUCTION IN ACCORDANCE WITH THE LATEST REVISION OF THE "MICHIGAN MANUAL OF UNIFORM TRAFFIC CONTROL DEVICES" AND ANY SUPPLEMENTAL SPECIFICATIONS SET FORTH HEREIN.
- ALL TRAFFIC CONTROL DEVICES INCLUDING SIGNS, BARRICADES, PLASTIC DRUMS, AND WARNING LIGHTS ARE THE RESPONSIBILITY OF THE CONTRACTOR.
- THE CONTRACTOR SHALL RESTORE THE RIGHT-OF-WAY TO A CONDITION EQUAL TO OR BETTER THAN THE ORIGINAL CONDITION.
- CONSTRUCTION EQUIPMENT AND EXCAVATING MATERIAL SHALL NOT BE STOCK PILED IN SUCH LOCATIONS THAT IT CREATES A TRAFFIC HAZARD OR INTERFERES WITH THE FLOW OF TRAFFIC.
- THE CONTRACTOR SHALL PROTECT ALL EXISTING ROAD SIDE DRAINAGE DITCHES, DRAINS, CULVERTS AND DRAINAGE STRUCTURES DURING CONSTRUCTION. ANY ROADWAY DRAINAGE FACILITIES DAMAGED BY THE CONTRACTOR SHALL BE RESTORED TO THEIR ORIGINAL CONDITION INCLUDING GRADE, WIDTH, SIDE SLOPES, PIPE MATERIAL, ETC.
- CONTRACTOR SHALL MAINTAIN ACCESS ACROSS COMMERCIAL DRIVEWAYS AT ALL TIMES DURING CONSTRUCTION. THE CONTRACTOR SHALL PLACE MAINTENANCE AGGREGATES AND/OR TEMPORARY BITUMINOUS PATCHING MIXTURE AS NECESSARY. THIS WORK IS INCIDENTAL TO CONSTRUCTION.
- THE CONTRACTOR SHALL PROVIDE ACCESS FOR EMERGENCY VEHICLES (POLICE, FIRE, AMBULANCE, ETC.), MAIL CARRIERS AND SCHOOL BUSES TO PASS THROUGH WORK AREAS AT ALL TIMES. ANY COMPLETED WORK THAT IS DAMAGED BY SUCH VEHICLES SHALL BE REPAIRED OR REMOVED AND REPLACED BY THE CONTRACTOR AT NO EXTRA COST TO THE OWNER.
- TRAFFIC CONTROL AT THE MUD TRACKING MAT SHALL BE INSTALLED PER MMUTCD AND CITY OF ANN ARBOR STANDARDS. COST SHALL BE INCIDENTAL.

GENERAL NOTES:

- TAKE ALL PRECAUTIONS TO SUPPORT EXISTING UTILITY POLES. COORDINATE WITH APPROPRIATE UTILITY COMPANIES TO MINIMIZE SCHEDULE DELAY.
- COMPLETE ALL WORK IN ACCORDANCE WITH APPLICABLE LOCAL, STATE AND FEDERAL CODES, RULES AND REGULATIONS. OBTAIN ALL NECESSARY LOCAL, STATE AND FEDERAL PERMITS AND PAY PERMIT FEES FOR THE WORK OR CONFIRM THAT THE REQUIRED PERMITS HAVE BEEN OBTAINED BY OTHERS PRIOR TO COMMENCING CONSTRUCTION.
- ALL ITEMS INCIDENTAL TO AND/OR REQUIRED TO COMPLETE THE INSTALLATION SHALL BE FURNISHED AND INSTALLED BY THE CONTRACTOR.
- RESTORE ALL DISTURBED AREAS NOT RECEIVING RIPRAP WITH 4-INCHES OF TOPSOIL, SEED, FERTILIZER AND MULCH BLANKET.
- RESTORE ALL STREET SURFACES, DRIVEWAYS, STAGING AREAS, CULVERTS, ROADSIDE DRAINAGE DITCHES AND OTHER PUBLIC OR PRIVATE STRUCTURES THAT ARE DISTURBED OR DAMAGED AS A RESULT OF CONSTRUCTION ACTIVITIES TO A CONDITION EQUAL OR BETTER THAN EXISTING CONDITIONS.
- ALL REMOVED MATERIALS ARE THE PROPERTY OF THE CONTRACTOR UNLESS OTHERWISE NOTED IN THE DRAWINGS. CLEANUP AND DISPOSE OF ALL EXCESS MATERIALS OFF SITE IN ACCORDANCE WITH LOCAL REGULATIONS.
- PROTECT TREES AND SHRUBS FROM DAMAGE DURING CONSTRUCTION IN ACCORDANCE WITH THE CONTRACT DOCUMENTS.
- PROTECT EXISTING SITE IMPROVEMENTS AND LANDSCAPING FROM DAMAGE. RESTORE/REPLACE ALL DAMAGED IMPROVEMENTS AND LANDSCAPING TO THEIR ORIGINAL CONDITION.
- CONTRACTOR SHALL BE RESPONSIBLE FOR BYPASSING ALL STORMWATER FLOW DURING CONSTRUCTION.



800 Know what's Below. CALL before you dig.

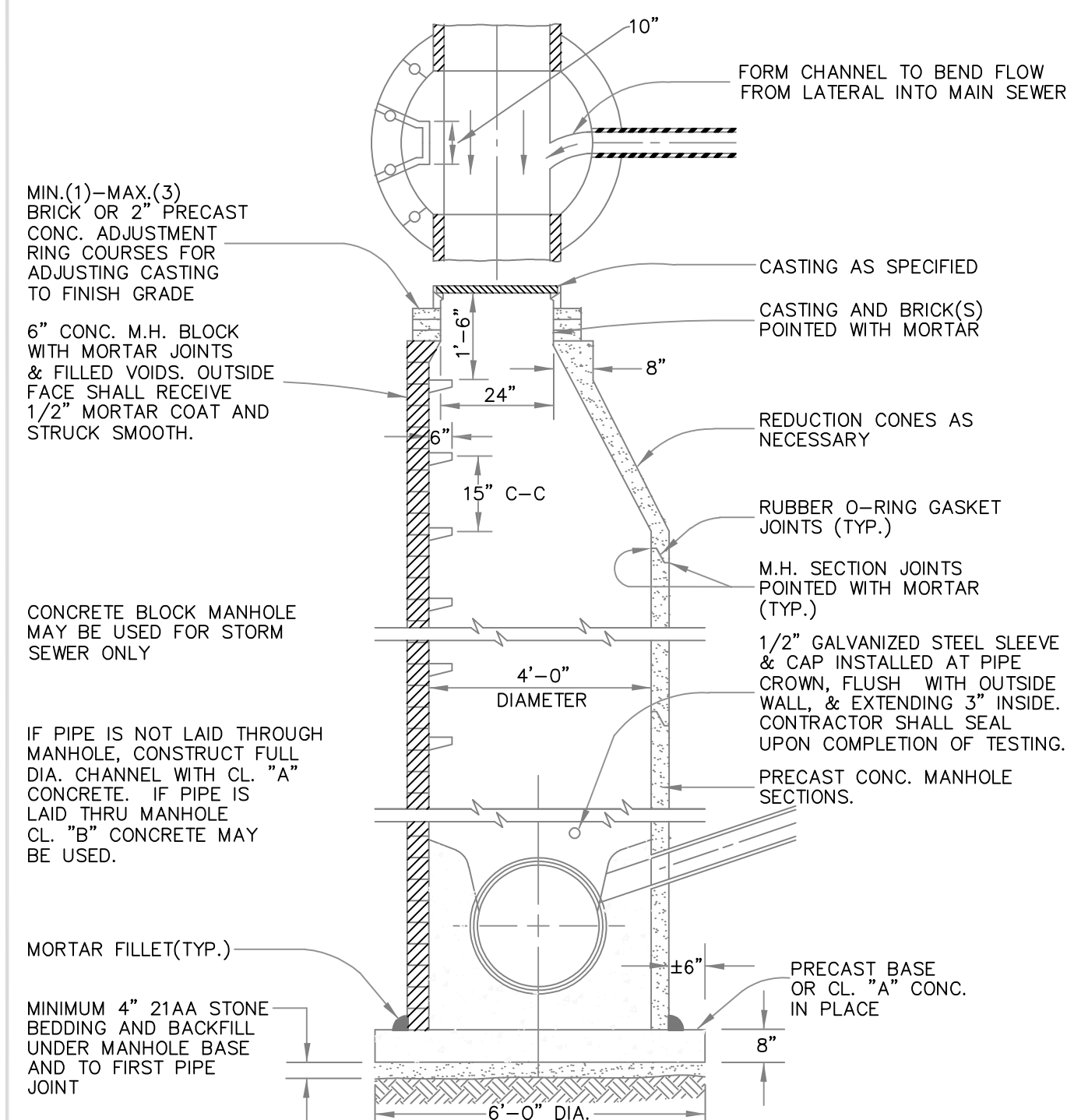
REV.	DATE	DESCRIPTION
1	02.05.2015	BID SET
1	10.25.2011	PRELIMINARY PLAN

PREPARED BY:
 Stattek Consulting, Michigan Inc.
 3898 Research Park Drive
 Ann Arbor MI U.S.A.
 48108-2216
 Tel: 734-761-1010
 Fax: 734-761-0000
 www.stattek.com

FIELD OPERATIONS - CITY OF ANN ARBOR
TRAVER STREET STORM SEWER

SCALE: NONE
 DRAWING NO.: 2075090900 - G-02

SHEET No. 2 OF 4



NOTE: ALL SANITARY MANHOLES SHALL BE PRECAST CONC.

NOTE: ALL MANHOLES MUST HAVE ECCENTRIC CONES—BOTH STORM AND SANITARY

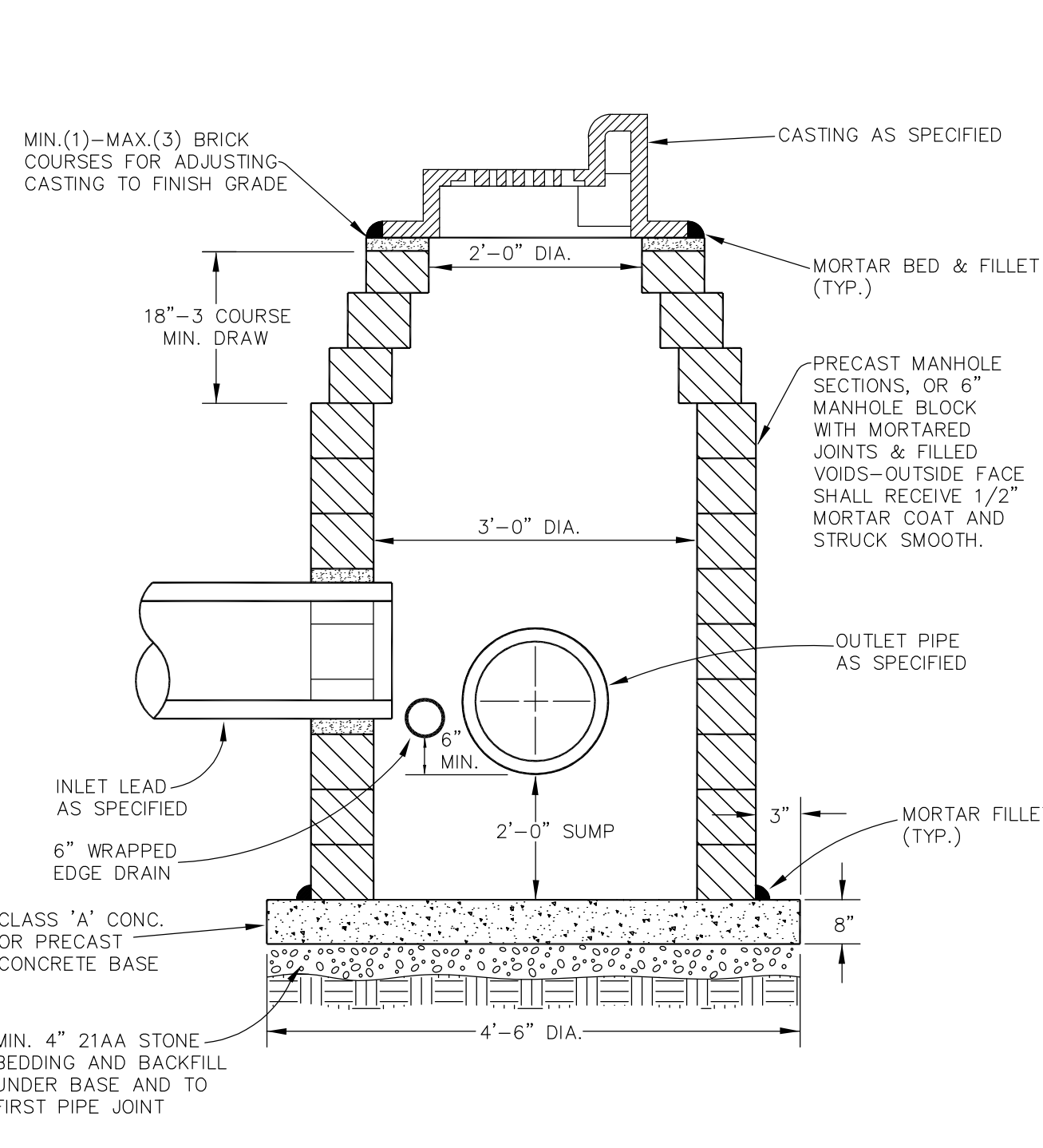
NOTE: ALL SANITARY SEWER OPENINGS SHALL BE PRECAST WITH RUBBER BOOT CONNECTIONS.

NOTE: CONCRETE BLOCK MANHOLE MAY BE USED FOR STORM SEWER ONLY, AND SHALL BE ECCENTRIC

REV. NO.	DR. BY	CH. BY	DATE
1	DF/SMJ	CH/DF	11-6-92

STANDARD MANHOLE (TYPE 1) FOR 8" TO 30" SEWERS

DR. BY: DF/SMJ CH. BY: CH/DF DATE: 11-6-92 DRAWING NO. SD-S-1



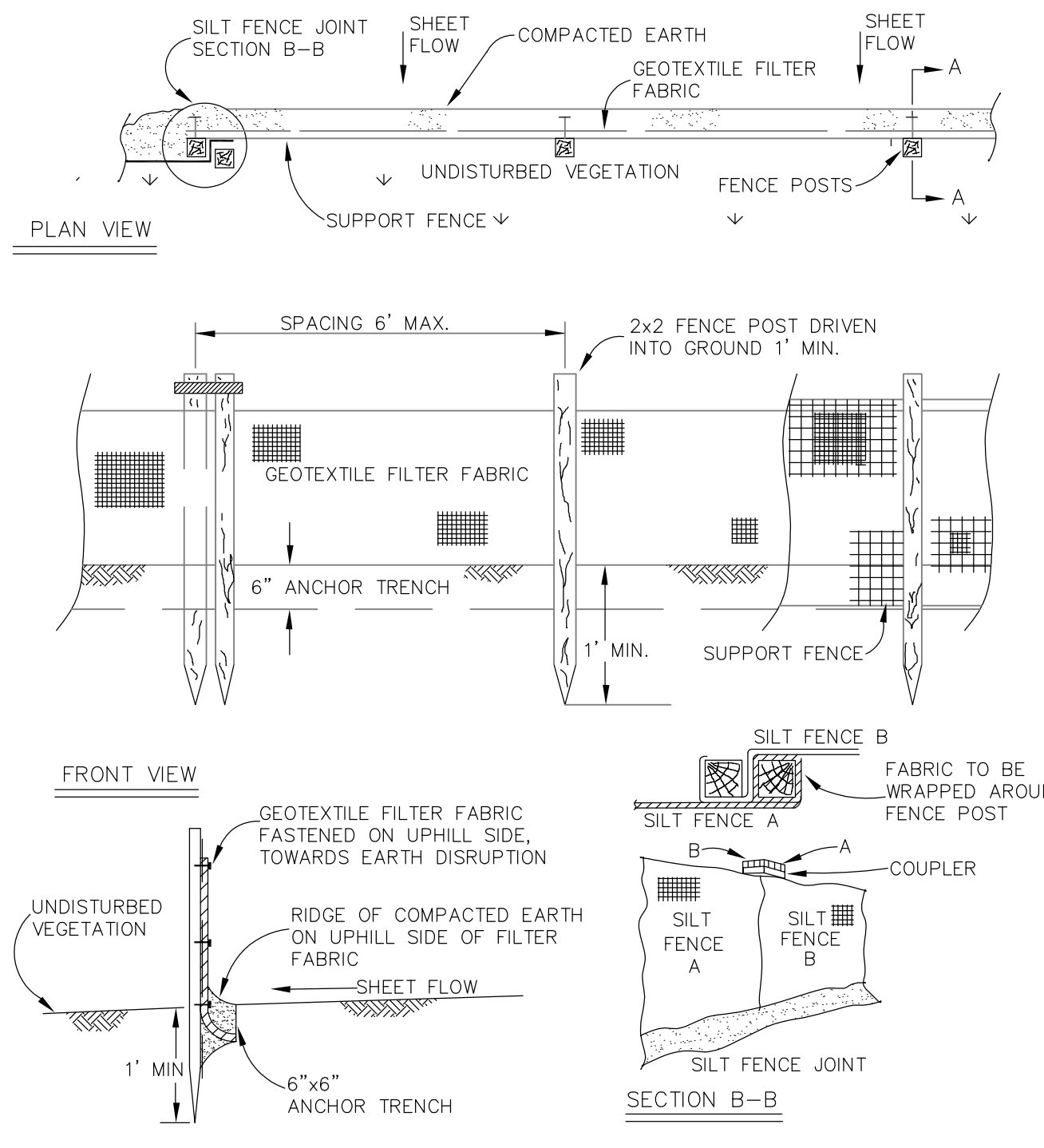
NOTE: SHALL BE USED IF SINGLE OUTLET PIPE AND SINGLE INLET PIPE.

NOTE: FRONT EDGE OF INLET CASTING SHALL BE FLUSH WITH FRONT EDGE OF GUTTER (EDGE-OF-METAL)

REV. NO.	DR. BY	CH. BY	DATE
1	DF/SMJ	CH/DF	11/6/92

INLET-JUNCTION CHAMBER

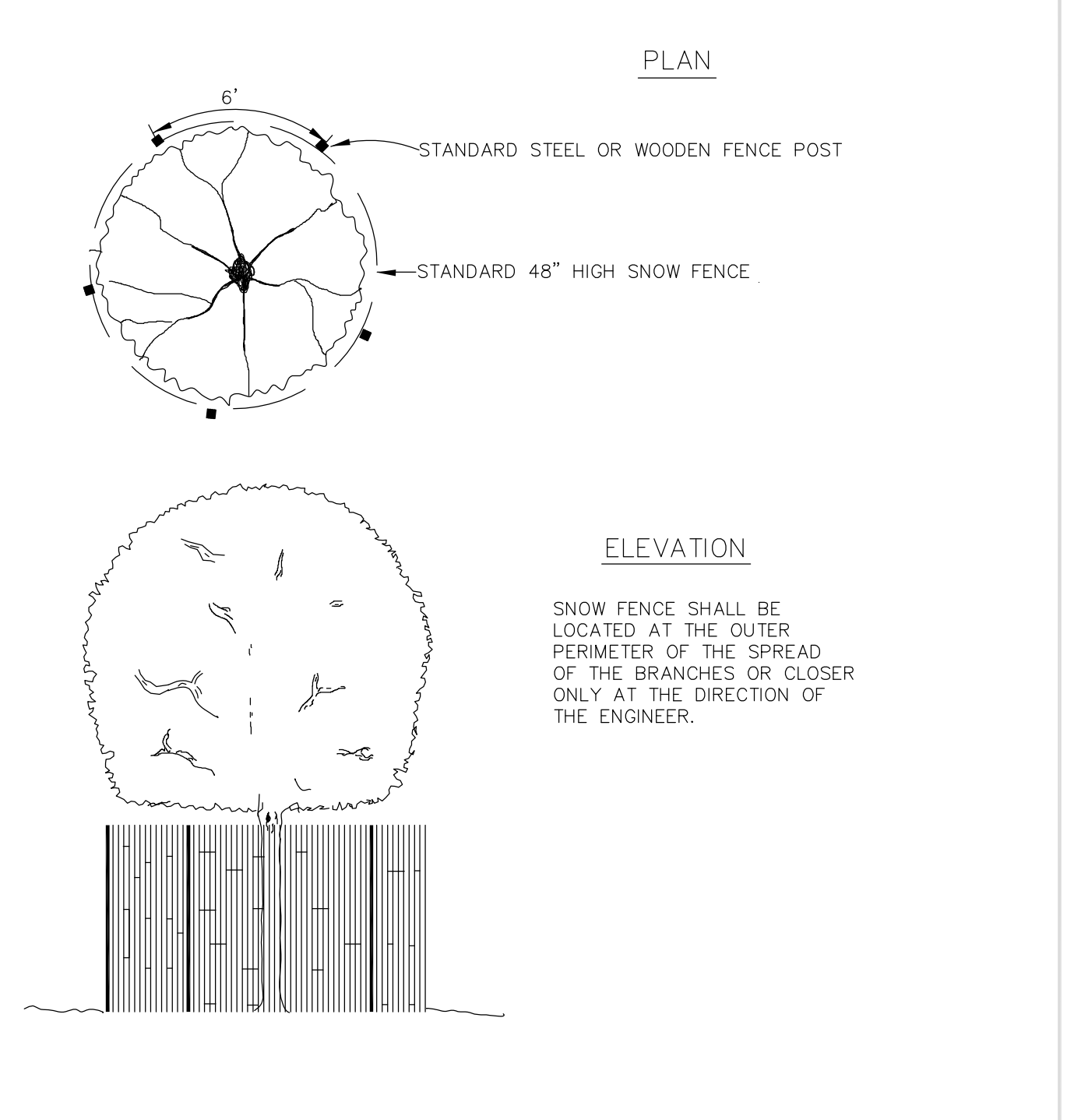
DR. BY: DF/SMJ CH. BY: CH/DF DATE: 11/6/92 DRAWING NO. SD-S-9



REV. NO.	DR. BY	CH. BY	DATE
1	DF/SMJ	CH/DF	11-6-92

SILT FENCE

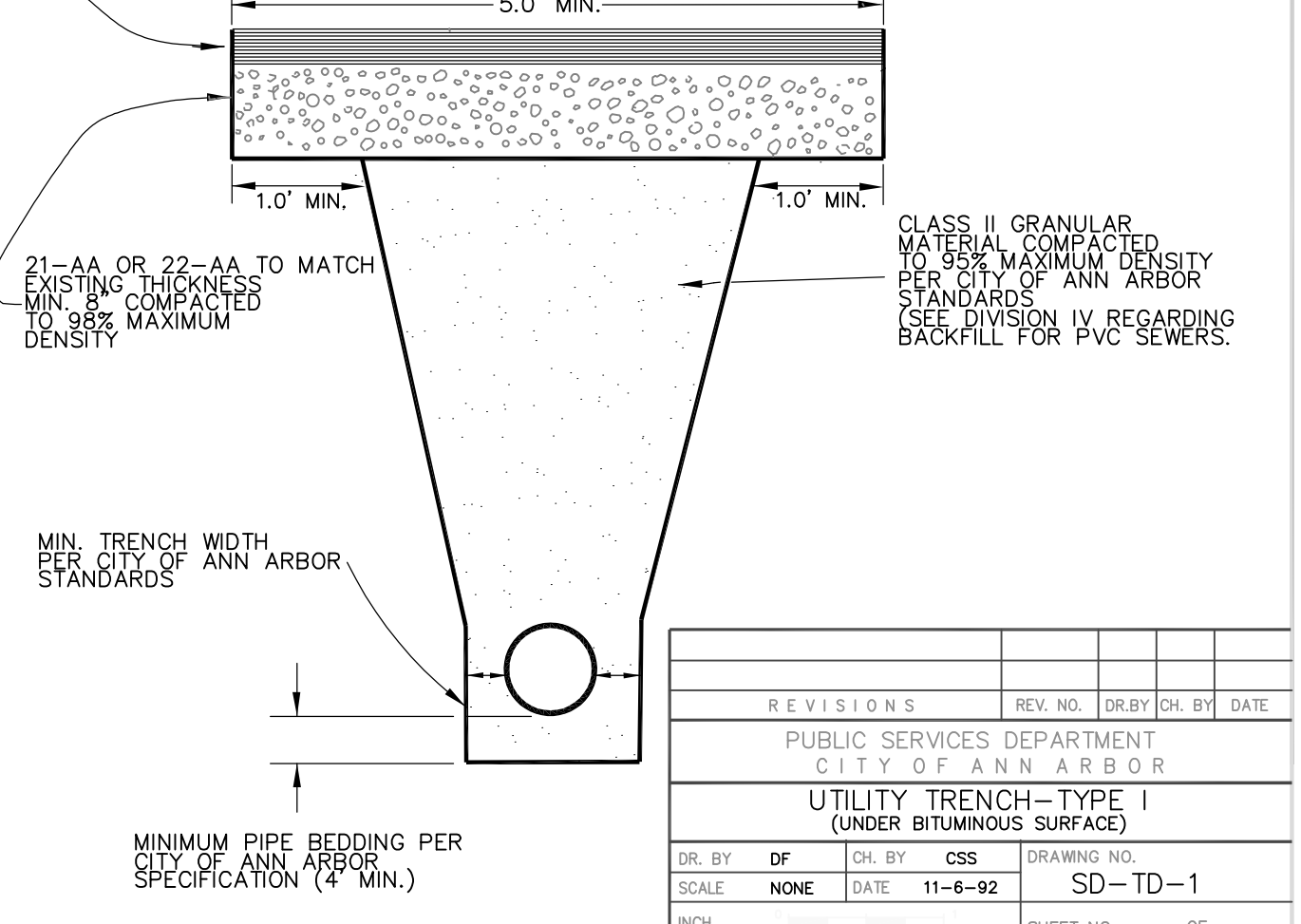
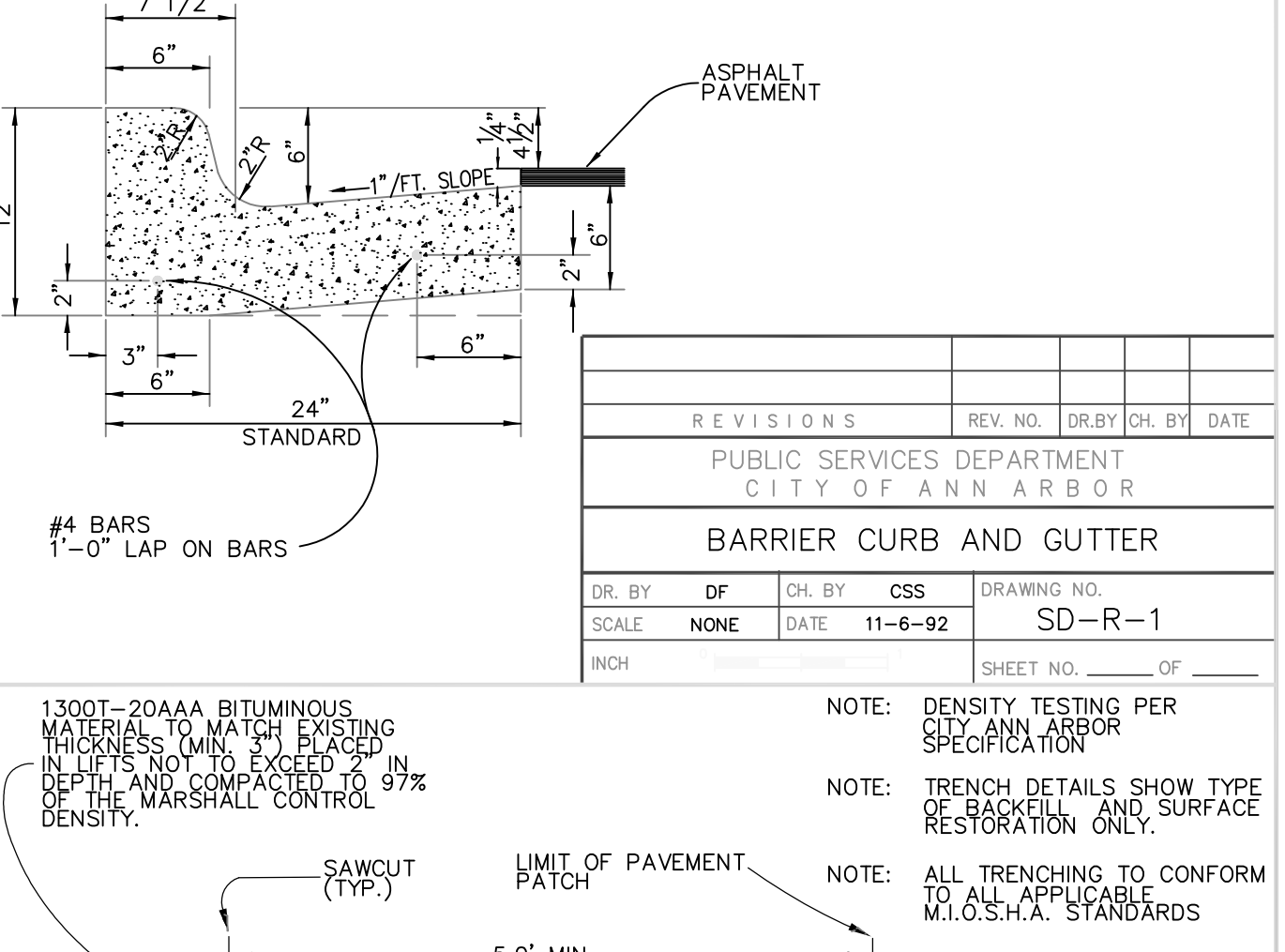
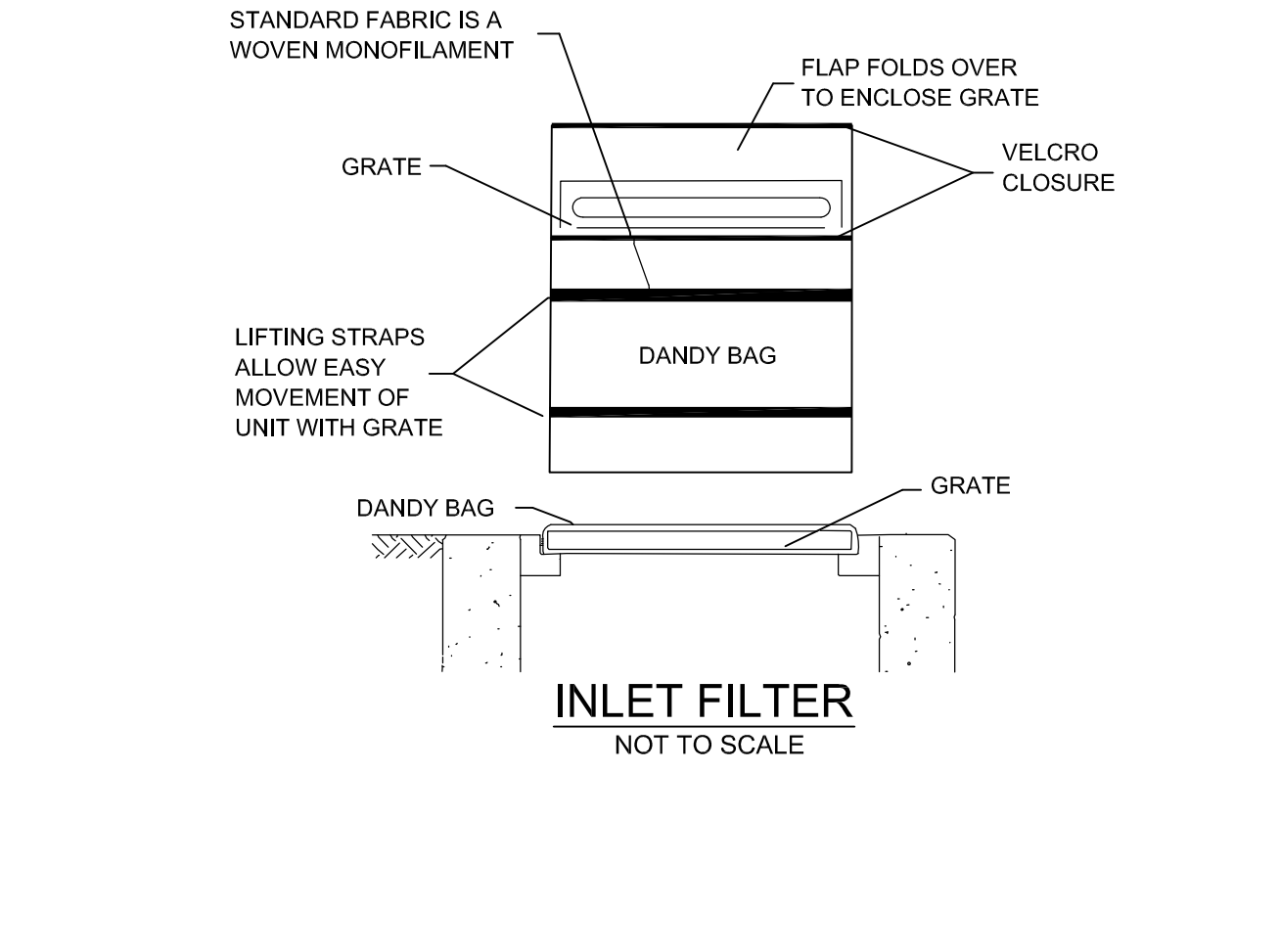
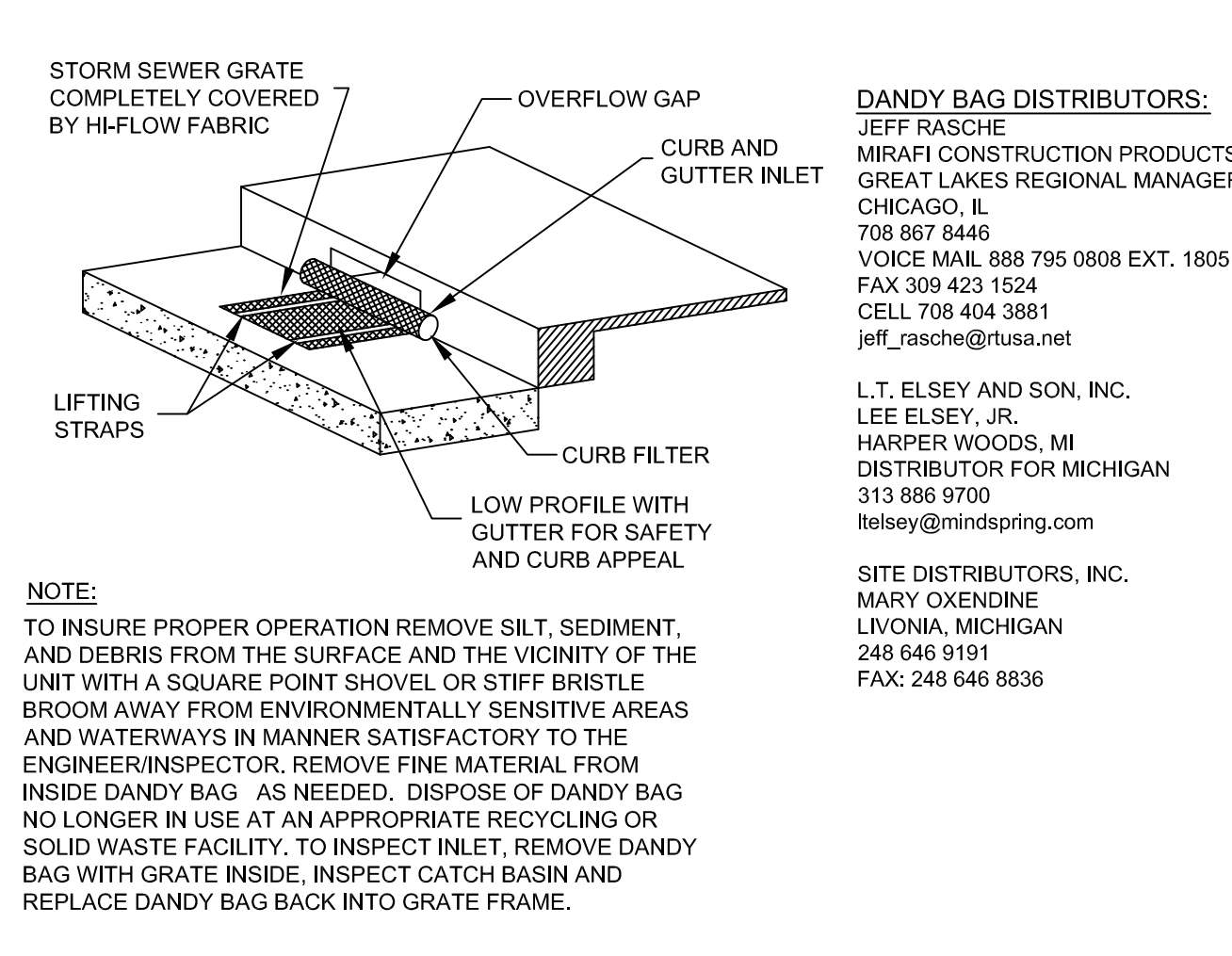
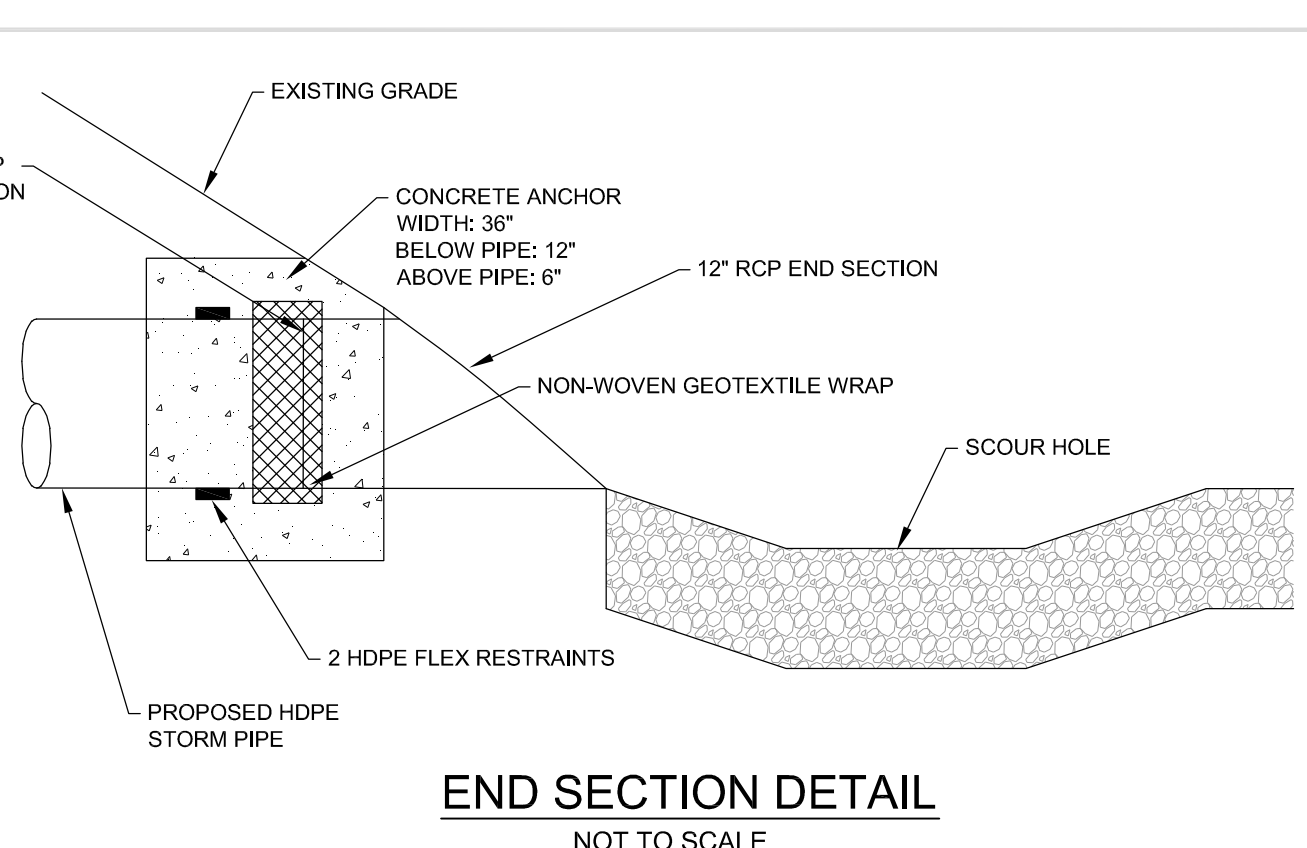
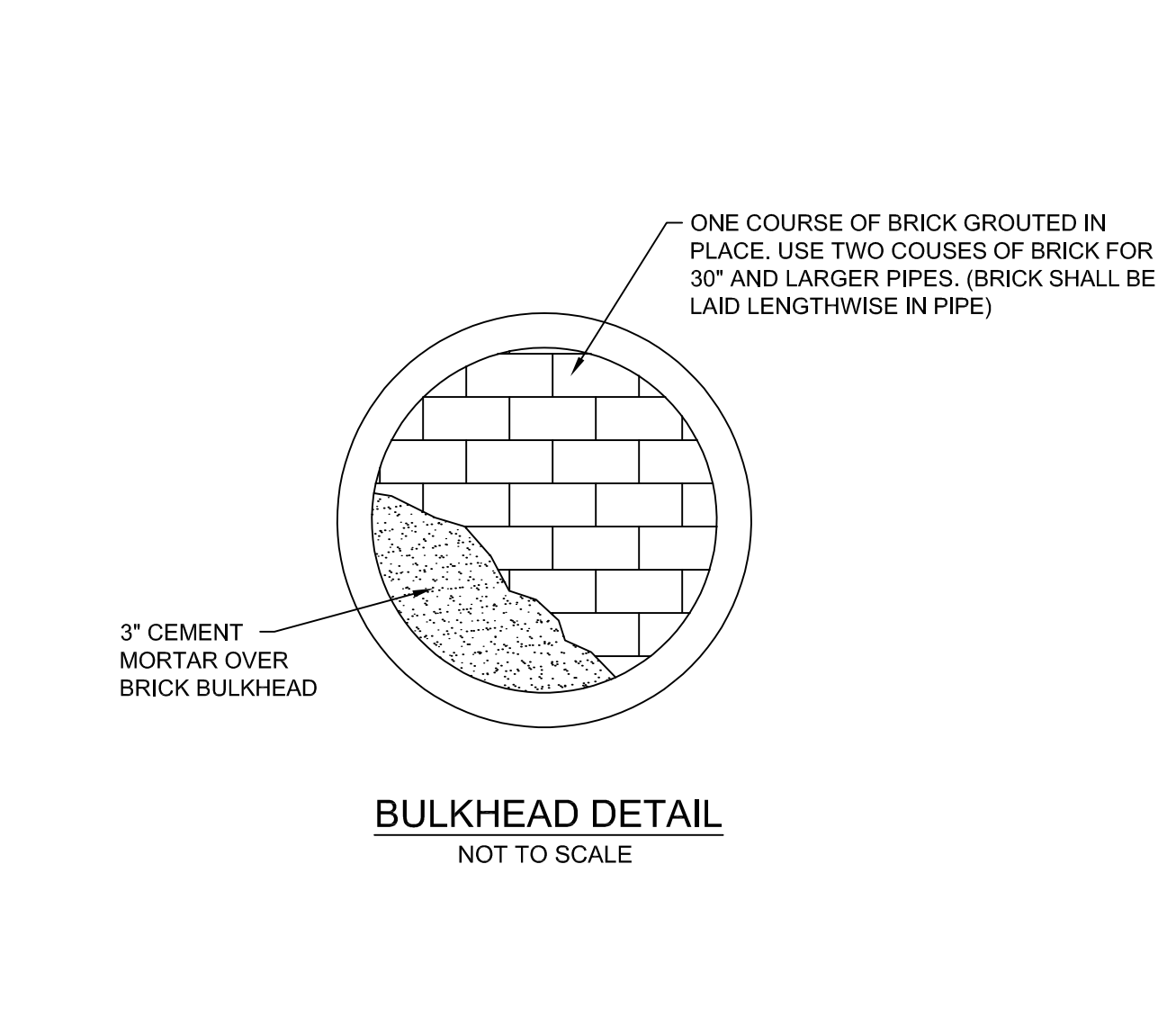
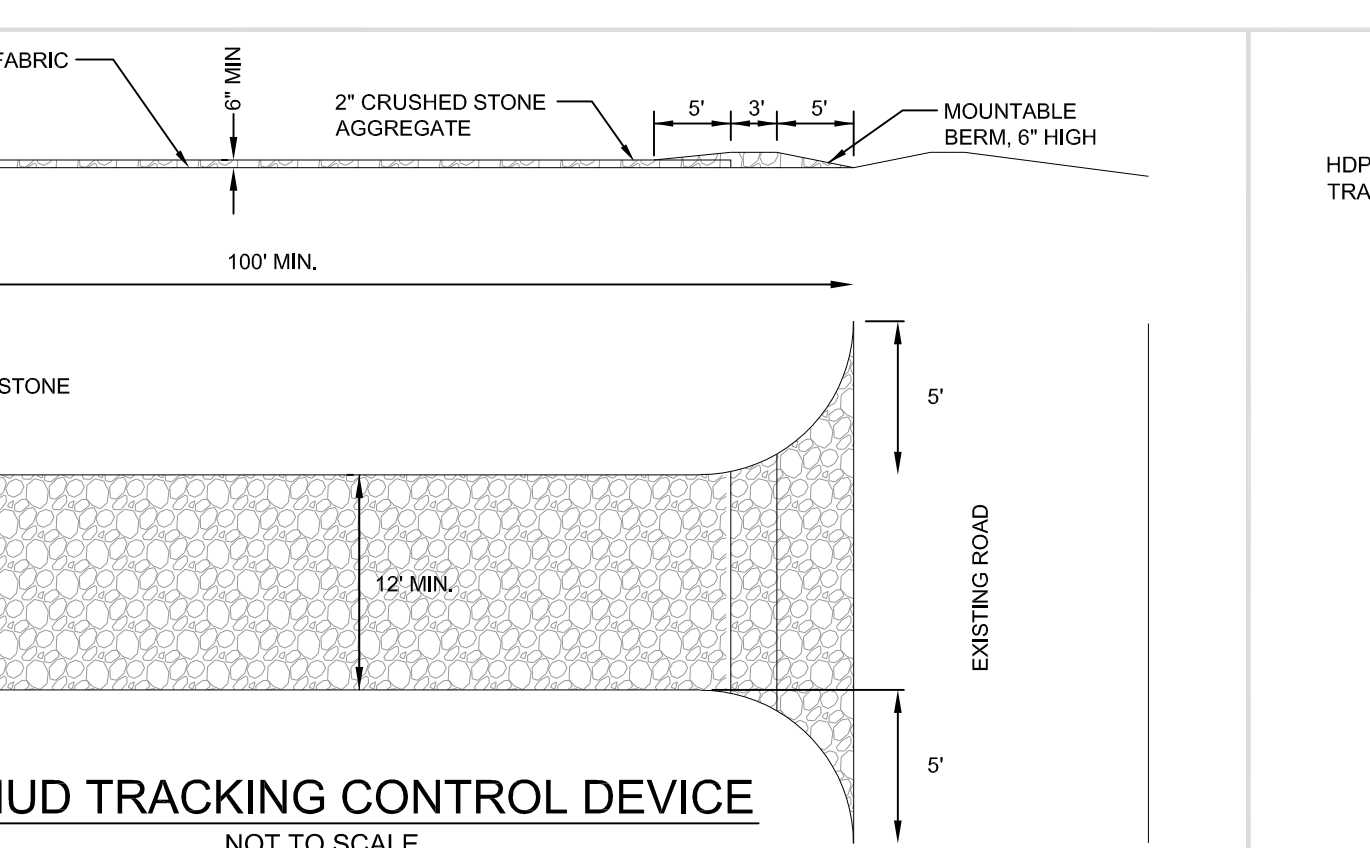
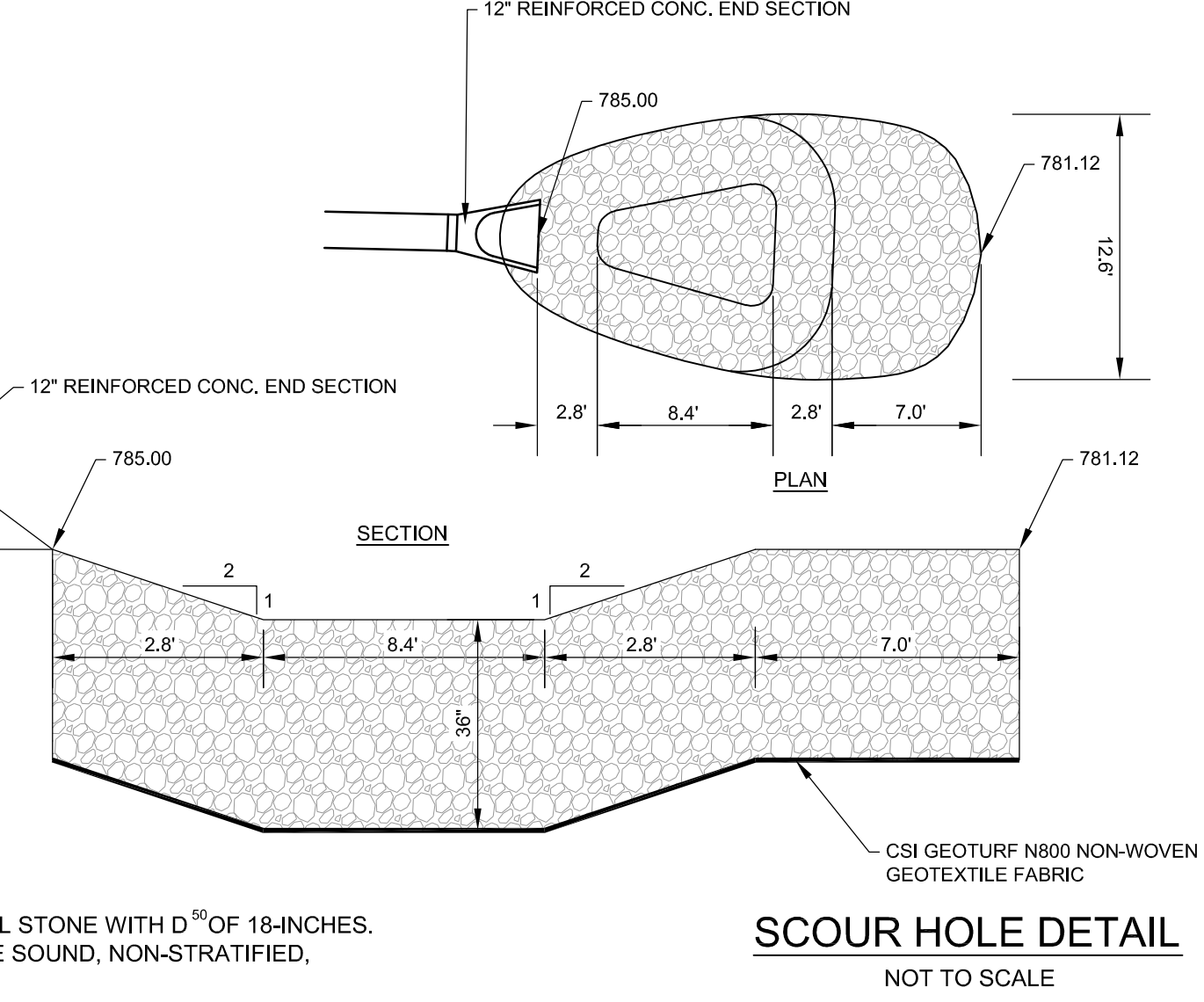
DR. BY: DF/SMJ CH. BY: CH/DF DATE: 11-6-92 DRAWING NO. SD-EC-3



REV. NO.	DR. BY	CH. BY	DATE
1	DF/SMJ	CH/DF	11-6-92

TREE PROTECTION

DR. BY: DF/SMJ CH. BY: CH/DF DATE: 11-6-92 DRAWING NO. SD-M-1



REV. NO.	DR. BY	CH. BY	DATE
1	DF/SMJ	CH/DF	11-6-92

MUD TRACKING CONTROL DEVICE

DR. BY: DF/SMJ CH. BY: CH/DF DATE: 11-6-92 DRAWING NO. SD-TD-1

REV. NO.	DR. BY	CH. BY	DATE
1	DF/SMJ	CH/DF	11-6-92

END SECTION DETAIL

DR. BY: DF/SMJ CH. BY: CH/DF DATE: 11-6-92 DRAWING NO. SD-TD-1

REV. NO.	DR. BY	CH. BY	DATE
1	DF/SMJ	CH/DF	11-6-92

INLET FILTER

DR. BY: DF/SMJ CH. BY: CH/DF DATE: 11-6-92 DRAWING NO. SD-TD-1

REV. NO.	DR. BY	CH. BY	DATE
1	DF/SMJ	CH/DF	11-6-92

TRENCH

DR. BY: DF/SMJ CH. BY: CH/DF DATE: 11-6-92 DRAWING NO. SD-TD-1

FIELD OPERATIONS - CITY OF ANN ARBOR

TRAVER STREET STORM SEWER

STANDARD DETAILS SHEET

SCALE: NONE

DRAWING NO. 2075090900 - G-03

SHEET NO. 3 OF 4

PREPARED BY: Stattek Consulting Michigan Inc. 3908 Research Park Drive Ann Arbor MI U.S.A. 48108-2216 Tel: 734-761-1010 Fax: 734-761-0000 www.stattek.com

DATE: 02.05.2015

DESCRIPTION: PRELIMINARY PLAN

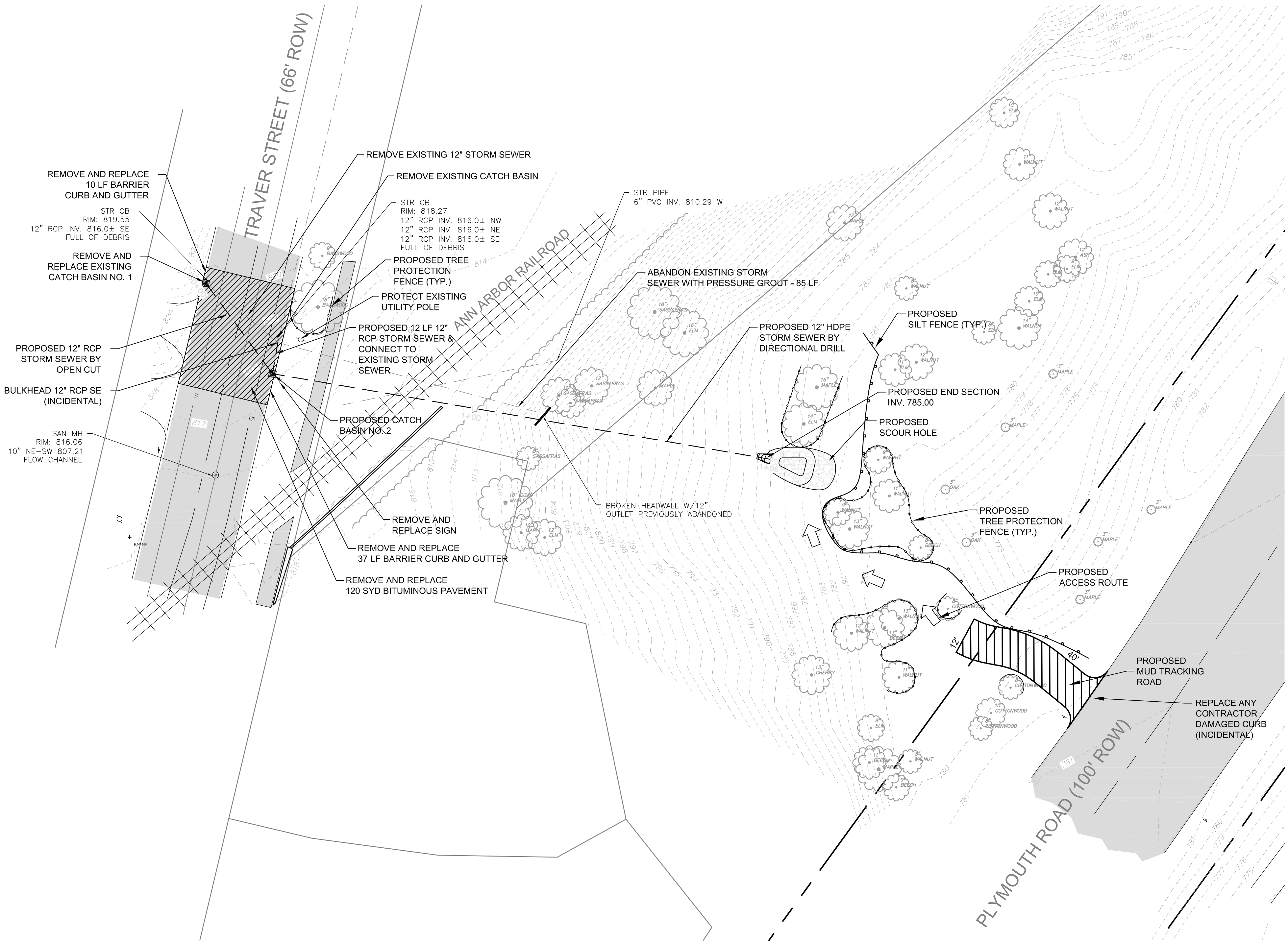
CHECKED: BWA

DRAWN: BWA

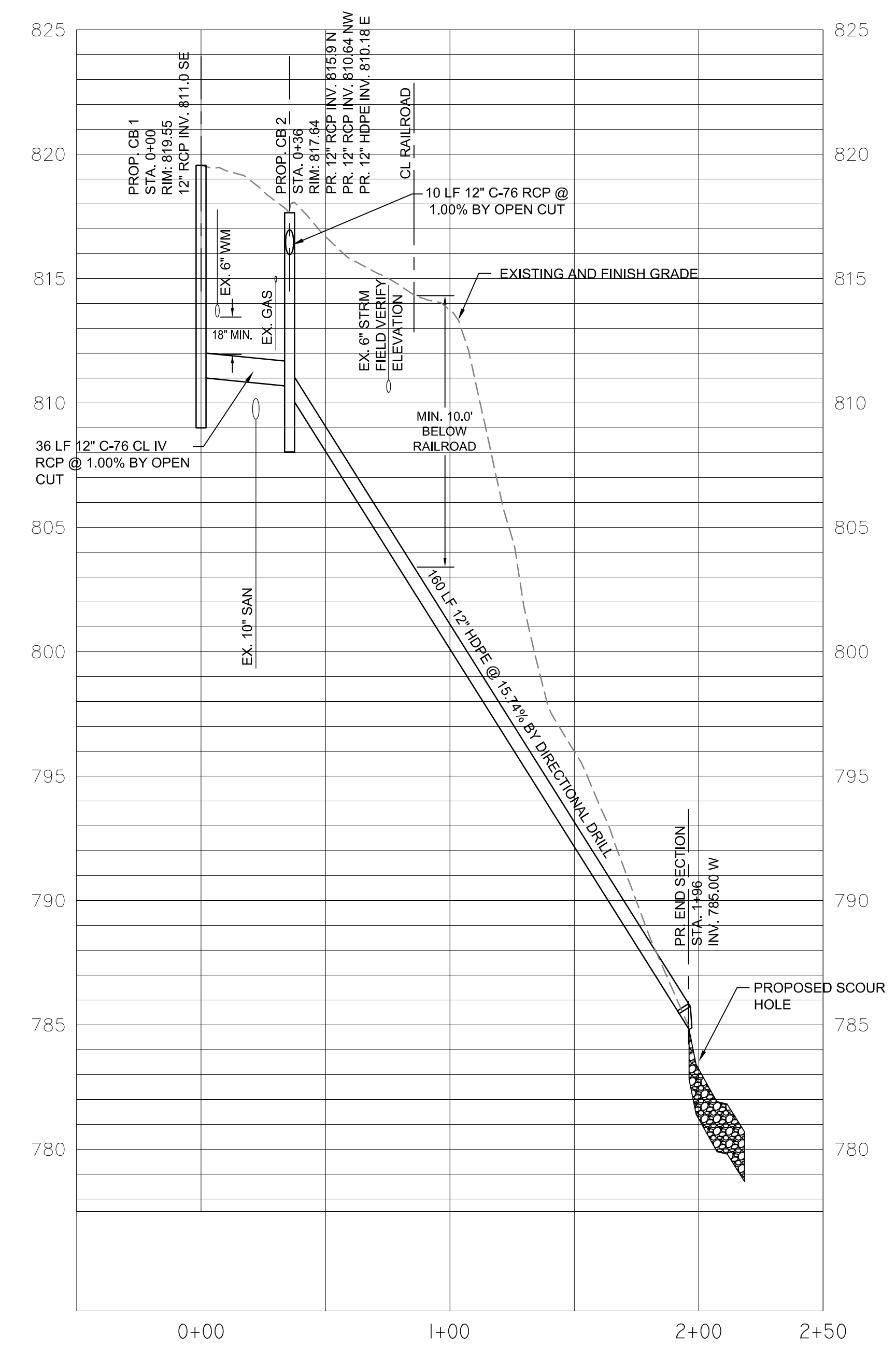
REVISIONS:

REV. NO.	DR. BY	CH. BY	DATE
1	DF/SMJ	CH/DF	11-6-92

V:\2075\active\2075090900\Task 217 Traver St Storm\C3D\drawing\C-01.dwg Dwg Created: 27-Oct-11 - _a2_standard.stb - Plot Date: 5-Feb-15



STORM SEWER PLAN
SCALE: 1"=20'



STORM SEWER PROFILE
SCALE: 1"=40' HORIZ.
1"=4' VERT.

CONSTRUCTION NOTES:

1. NO EXCAVATION SHALL OCCUR WITHIN 25 FEET OF THE ANN ARBOR RAILROAD TRACKS.
2. CONTRACTOR SHALL VERIFY ALL EXISTING PIPE INVERT ELEVATIONS PRIOR TO CONSTRUCTION.
3. CONTRACTOR SHALL PROVIDE ALL NECESSARY SHEETING AND SHORING TO PREVENT DAMAGE TO EXISTING UTILITY POLES AND UNDERGROUND UTILITIES.
4. STORM SEWER STRUCTURES SHALL BE PRECAST CONCRETE. PROPOSED CATCH BASIN NO. 1 SHALL BE CONSTRUCTED PER CITY DETAIL SD-S-9 WITH 48" DIAMETER, EJIW 7045 FRAME AND TYPE M1 GATE. PROPOSED CATCH BASIN NO. 2 SHALL BE CONSTRUCTED PER CITY DETAIL SD-S-9 WITH EJIW 7045 FRAME AND TYPE M1 GATE.
5. CALL MISS DIG AT 1-800-482-7171 AT LEAST 3 WORKING DAYS PRIOR TO ANY EXCAVATION TO CONFIRM THE LOCATION OF EXISTING BURIED UTILITIES. THE LOCATIONS AND ELEVATIONS OF EXISTING UTILITIES SHOWN ON THIS DRAWING ARE ONLY APPROXIMATE. NO GUARANTEE IS EITHER EXPRESSED OR IMPLIED AS TO THE COMPLETENESS OR ACCURACY THEREOF.

FIELD OPERATIONS - CITY OF ANN ARBOR

TRAVER STREET STORM SEWER

STORM SEWER PLAN AND PROFILE

STA. 0+00 TO STA. 1+96

SCALE PLAN: 1"=20' PROFILE: 1"=4'
0 20' 40'

DRAWING No. **2075090900 - C-01**

SHEET No. **4 OF 4**

PREPARED BY:
Stattek Consulting, Michigan Inc.
3808 Research Park Drive
Ann Arbor MI U.S.A.
48108-2216
Tel: 734-761-1000
Fax: 734-761-0000
www.stattek.com

1 BID SET
1 PRELIMINARY PLAN

DATE: 02.05.2015
10.25.2011

DESCRIPTION: REV.

REVISIONS:

NO.	DATE	BY	DESCRIPTION
1	10.25.2011	BWA	DRAWN
2	02.05.2015	BWA	CHECKED

REVISIONS:

NO.	DATE	BY	DESCRIPTION
1	10.25.2011	BWA	DRAWN
2	02.05.2015	BWA	CHECKED

811
Know what's Below.
CALL Before you dig.