



CITY OF ANN ARBOR, MICHIGAN
Public Services Area/Water Treatment
919 Sunset Road
Ann Arbor, Michigan 48103

Web: www.a2gov.org Printed on recycled paper

January 31, 2013

To: All Contract Document Holders

**RE: Addendum to the Contract Documents for the Argo Dam and Geddes Dam Coating and
Miscellaneous Repairs
Bid No. ITB-4261**

Attached is a copy of Addendum Number One for the Argo Dam and Geddes Dam Coating and Miscellaneous Repairs Project. This Addendum supersedes and updates the Contract Document information for Bid No. ITB-4261. All Bidders shall acknowledge receipt and acceptance of this Addendum Number One by so indicating on the Invitation to Bid Form located in the existing Contract Documents. Bids submitted without acknowledgment of receipt of this Addendum will be considered informal. If you have any questions regarding the Contract Documents or this Addendum, please contact Paul Malocha, PE, Stantec Consulting, by email at paul.malocha@stantec.com.

Sincerely,

Brian Steglitz, P.E.
Sr. Utilities Engineer
City of Ann Arbor Water Treatment Plant

enc.

January 31, 2013

**ADDENDUM NO. 1
TO
BID DOCUMENTS
FOR
ARGO DAM AND GEDDES DAM
COATING AND MISCELLANEOUS REPAIRS
FOR THE
CITY OF ANN ARBOR, MICHIGAN**

The following changes, additions, and/or deletions shall be made to the Bid Documents for the Argo Dam and Geddes Dam Coating and Miscellaneous Repairs Project for the City of Ann Arbor, Michigan, Bid No. ITB – 4261 on which bids were to be received, on or before, 10:00 A.M. Thursday, February 7, 2013.

The information contained herein shall take precedence over the original documents and all previous addenda, and is appended thereto.

All Bidders shall acknowledge receipt and acceptance of this Addendum No. 1, including all attachments, by so indicating on page ITB-1 of the Invitation to Bid Form. Bids submitted without acknowledgement of receipt of this addendum will be considered informal.

Changes in the Bid Documents which are outlined below are referenced to a page or drawing in which they appear conspicuously. The Bidder is to take note in its review of the documents and include these changes as they affect work or details in other areas not specifically referenced here. Changes to the original text are bolded, underlined and italicized.

DRAWINGS

Replace drawing 1C-102 with the attached revised drawing. The electronic .pdf file has been saved as a 24" x 36" drawing.

QUESTIONS AND ANSWERS

- Q:** Drawing 1C-102 Section C1 indicates 110 CY of rip rap at the Argo site, while the plan view on this page and the bid form show 50 CY. Which is correct?
- A:** **The correct quantity is 50 CY.**

Q: Will this project be under ARRA of 2009 or the CUB agreement?

A: **No.**

Q: What is the project estimate?

A: **\$250,000 to \$350,000.**

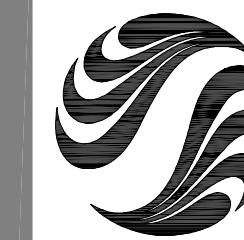
Q: For the Bid Alternate (No. 17 – Tainter Gate Repairs), who will be responsible for specifying the type of temporary braces for the gate to the abutment walls?

A: **The CONTRACTOR shall provide the design of the temporary bracing. The design shall be signed and sealed by a professional engineer registered in the State of Michigan. The CONTRACTOR shall provide and install all temporary bracing, brackets, hardware, restoration and all related work. Only one member shall be removed and replaced at a time.**

Q: Does the City have stop logs available for Geddes Dam?

A: **No.**

END OF ADDENDUM



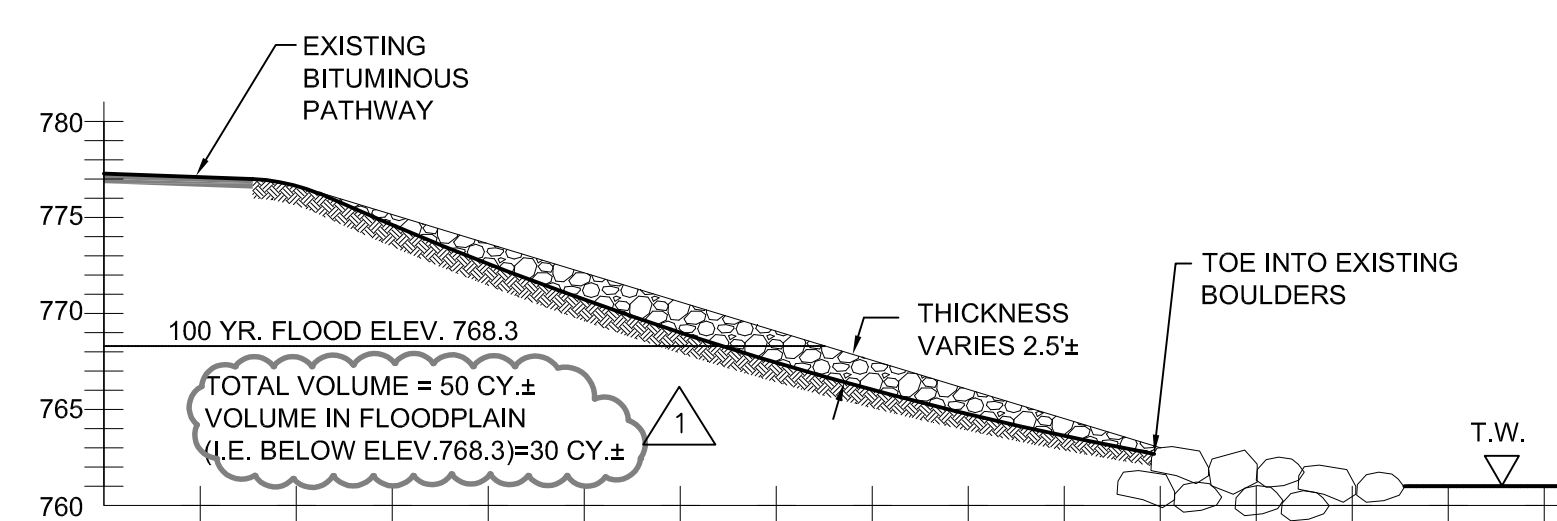
Copyright Reserved

The Contractor shall verify and be responsible for all dimensions. DO NOT scale the drawing - any errors or omissions shall be reported to Stantec without delay.
 The Copyrights to all designs and drawings are the property of Stantec. Reproduction or use for any purpose other than that authorized by Stantec is forbidden.

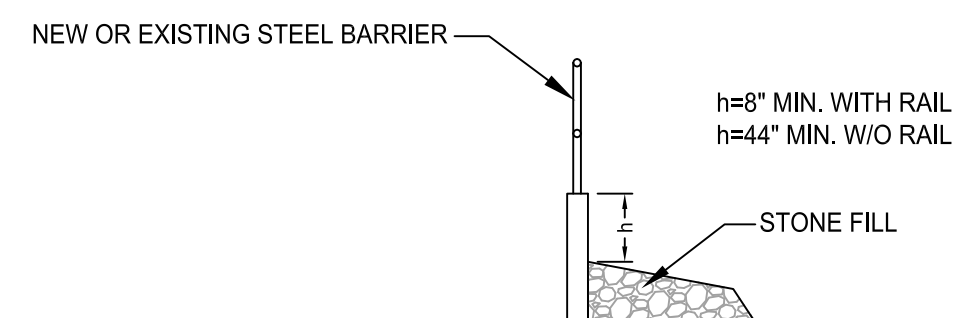
Consultants

Legend

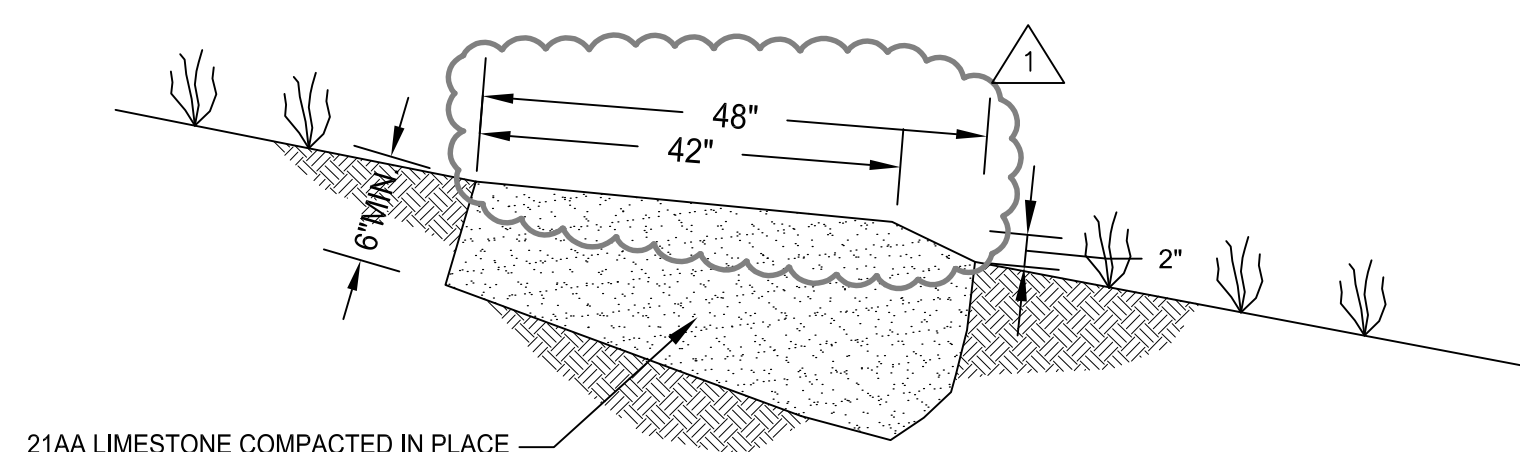
Notes



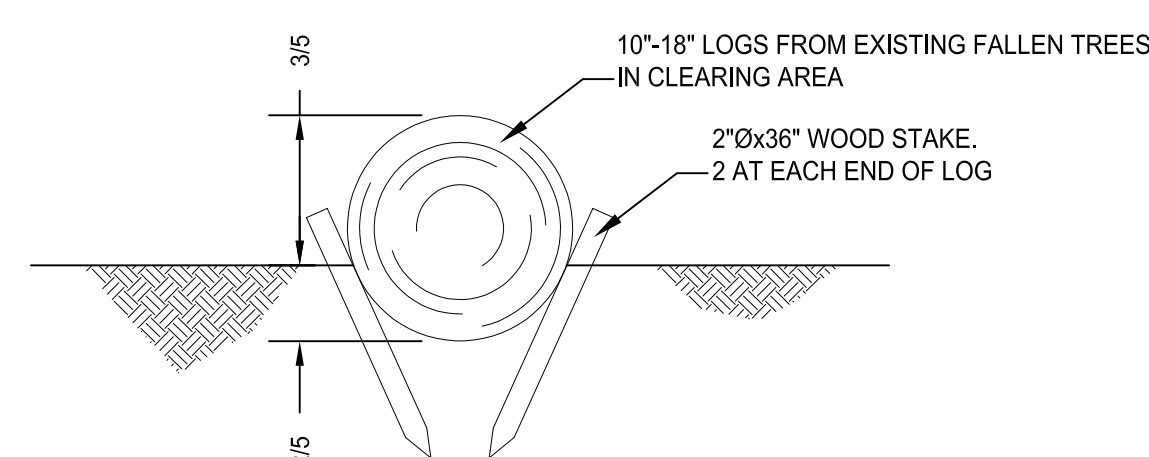
SECTION C1
SCALE: 1" = 10'



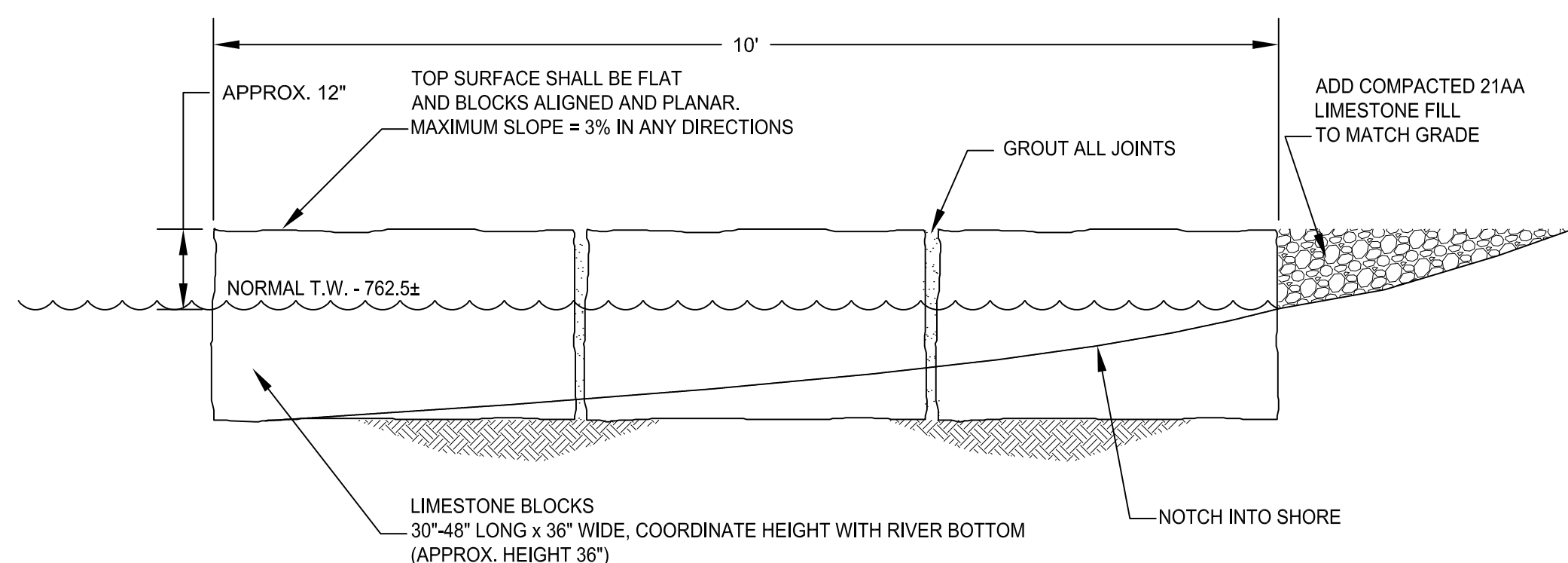
SECTION C2
SCALE: 1/2" = 1'-0"



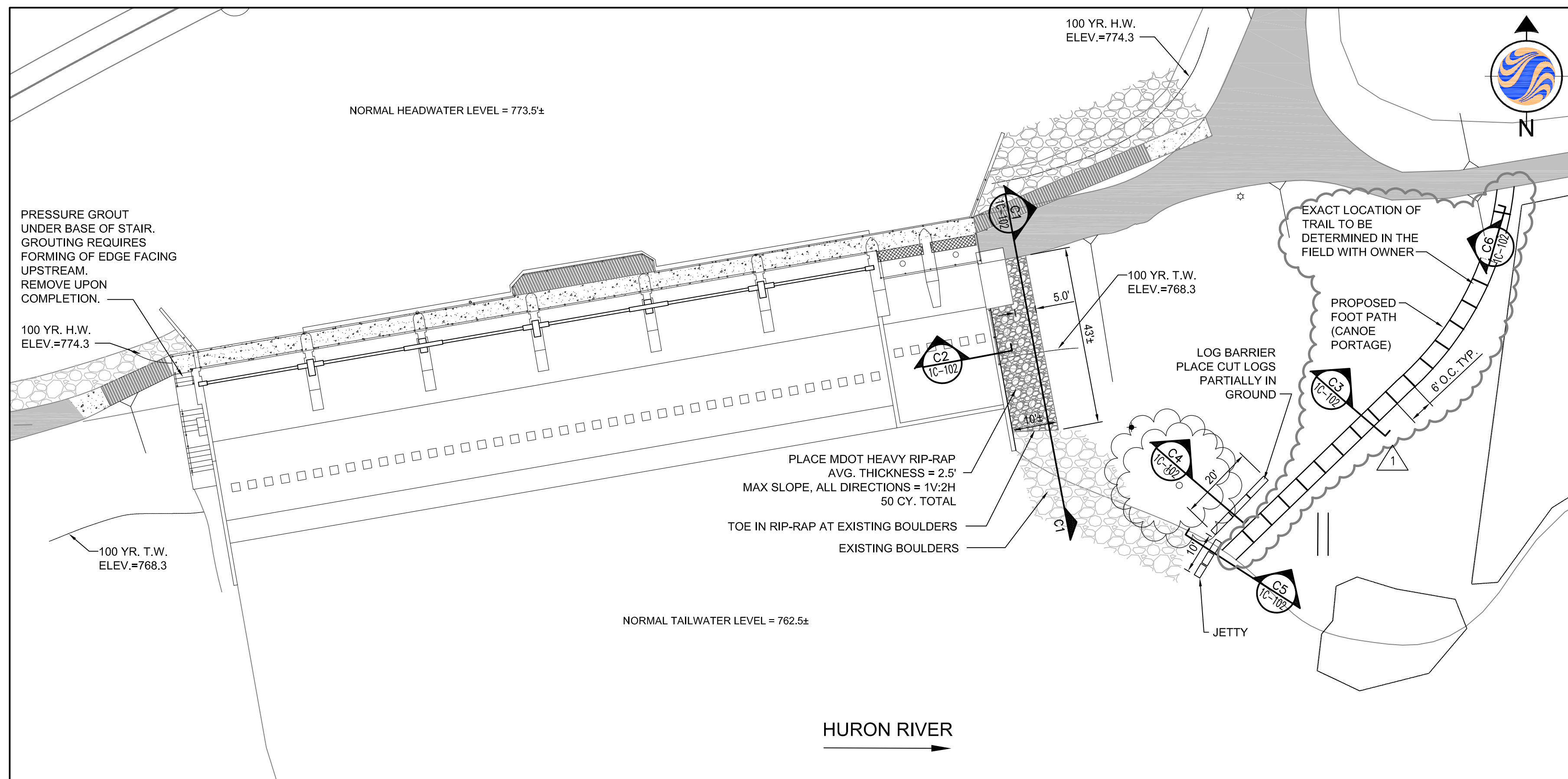
SECTION C3-GRAVEL PATH
SCALE: NONE



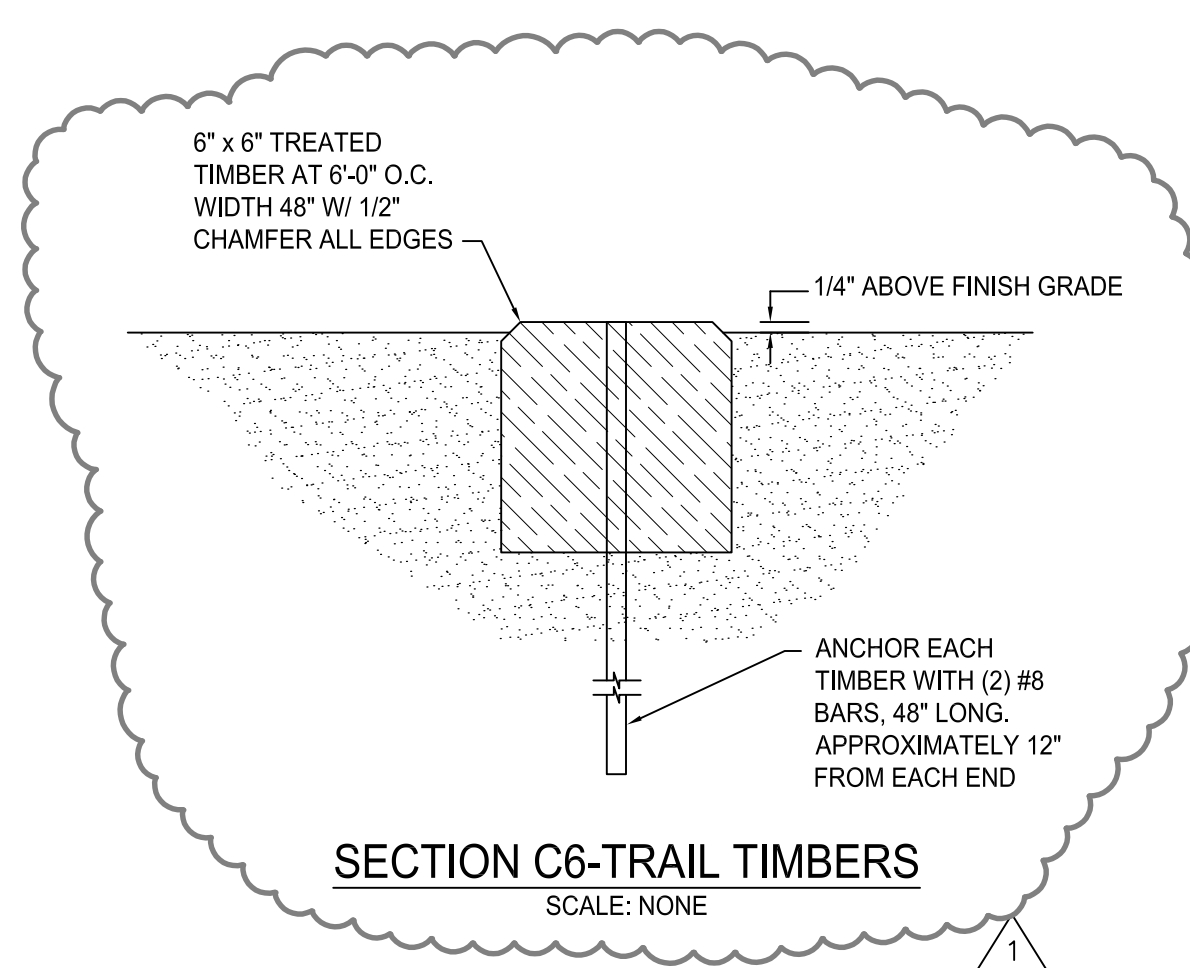
SECTION C4-LOG BARRIER
SCALE: NONE



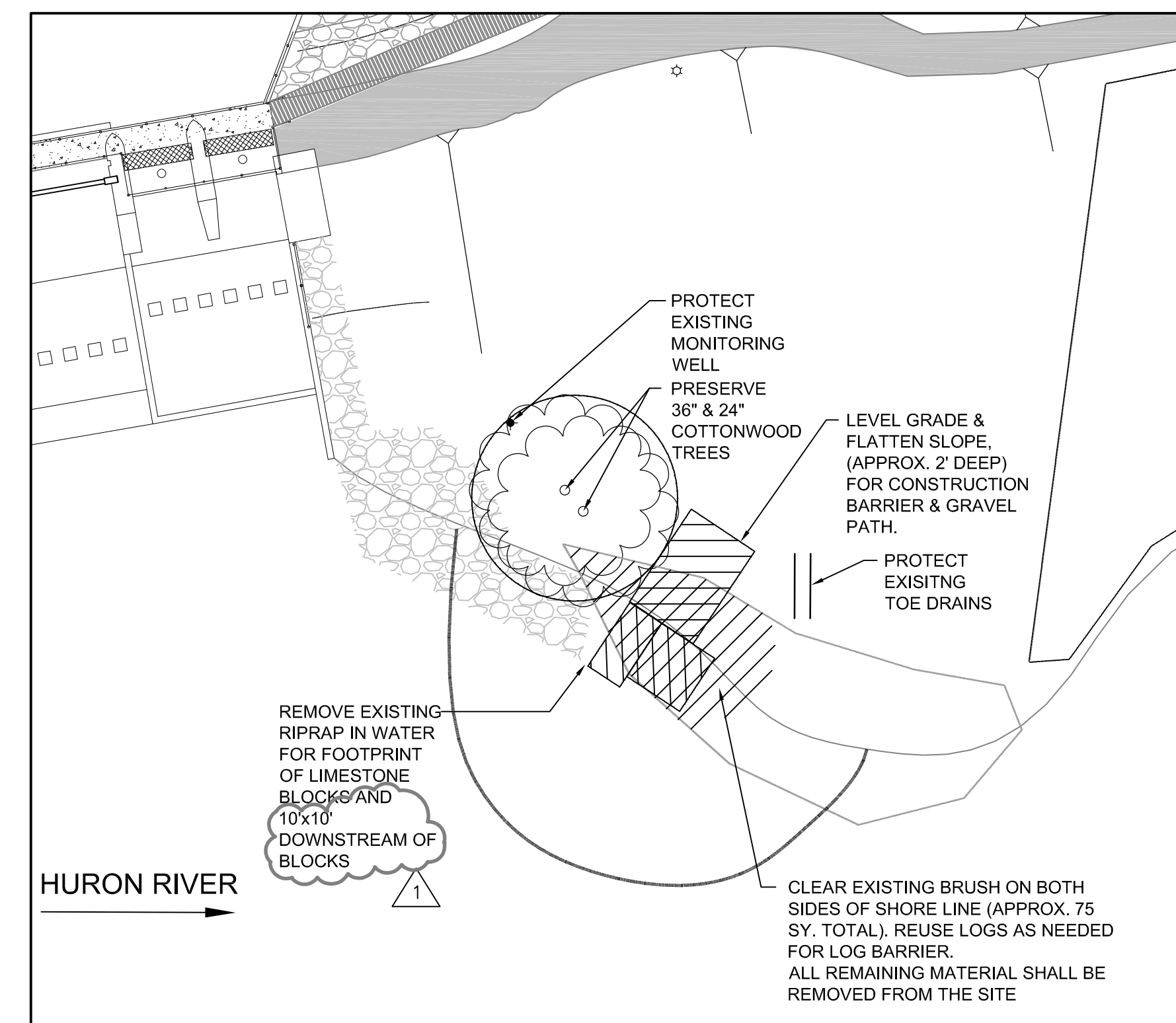
SECTION C5-JETTY
SCALE: NONE



PROPOSED PLAN



SECTION C6-TRAIL TIMBERS
SCALE: NONE



CLEARING PLAN

811
 Know what's below.
 Call before you dig.

NOTE:
 THE LOCATIONS AND ELEVATIONS OF EXISTING UNDERGROUND UTILITIES AS SHOWN ON THIS DRAWING ARE ONLY APPROXIMATE. NO GUARANTEE IS EITHER EXPRESSED OR IMPLIED AS TO THE COMPLETENESS OR ACCURACY THEREOF. THE CONTRACTOR SHALL BE RESPONSIBLE FOR CONTACTING MISS DIG PRIOR TO CONSTRUCTION.

Revision	By	Appd.	YY.MM.DD
ADDENDUM	PJM	GRW	13.01.30
BID SET	PJM	GRW	13.01.07
MDOE PERMIT SET	PJM	GRW	12.12.21
95% CLIENT REVIEW	PJM	GRW	12.12.14
MDOE PERMIT	PJM	GRW	12.12.04
60% CLIENT REVIEW	PJM	GRW	12.11.08
Issued	By	Appd.	YY.MM.DD

File Name:	BWA/FDA	PJM	PJM	12.10.11
116502-1C-102.DWG	Dwn.	Chkd.	Dsgn.	YY.MM.DD

Client/Project
 CITY OF ANN ARBOR

ARGO DAM & GEDDES DAM
 COATING AND MISCELLANEOUS REPAIRS
 Ann Arbor, Michigan

Title
 ARGO DAM
 SITE WORK

Project No.	Scale	Sheet	Revision
2075116502	1:20	4 of 12	1

Drawing No. 1C-102