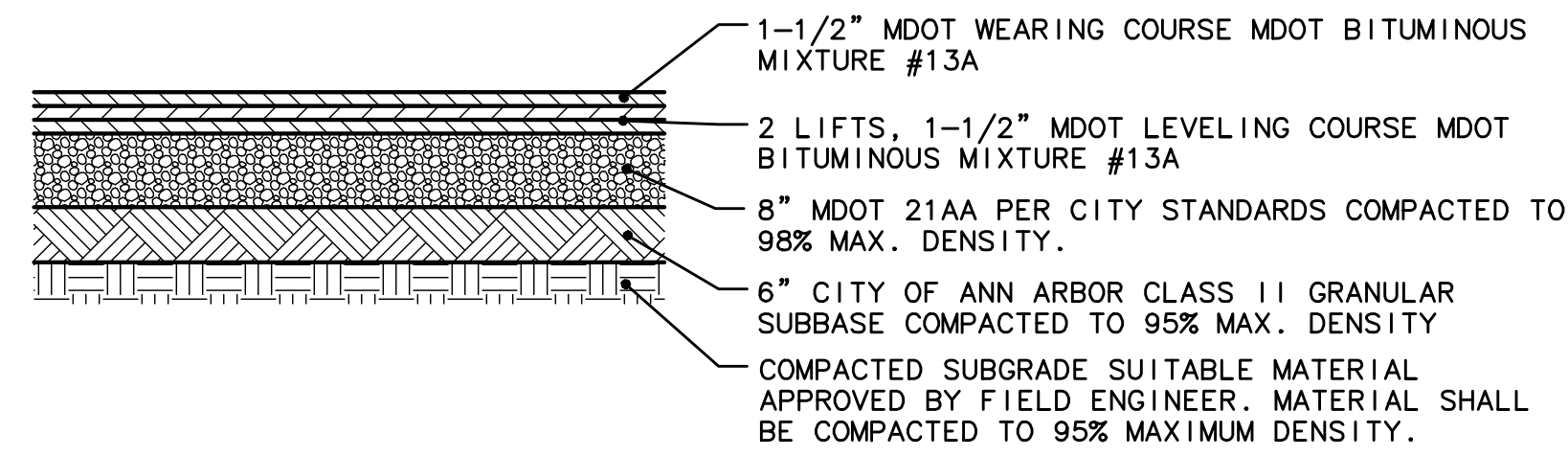
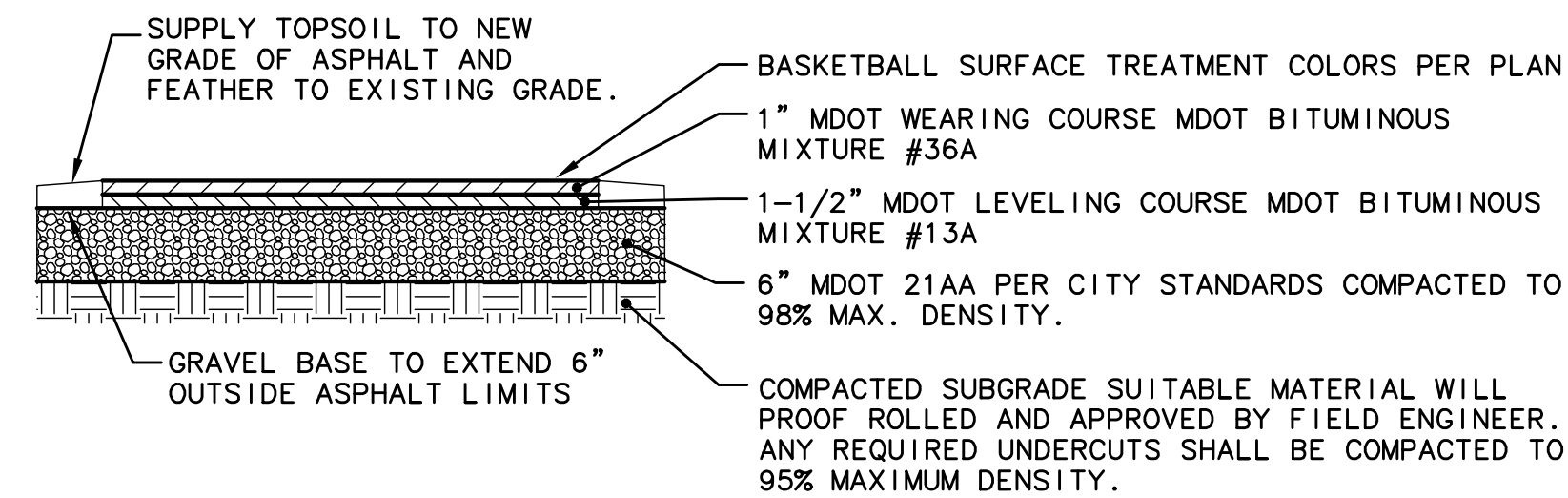


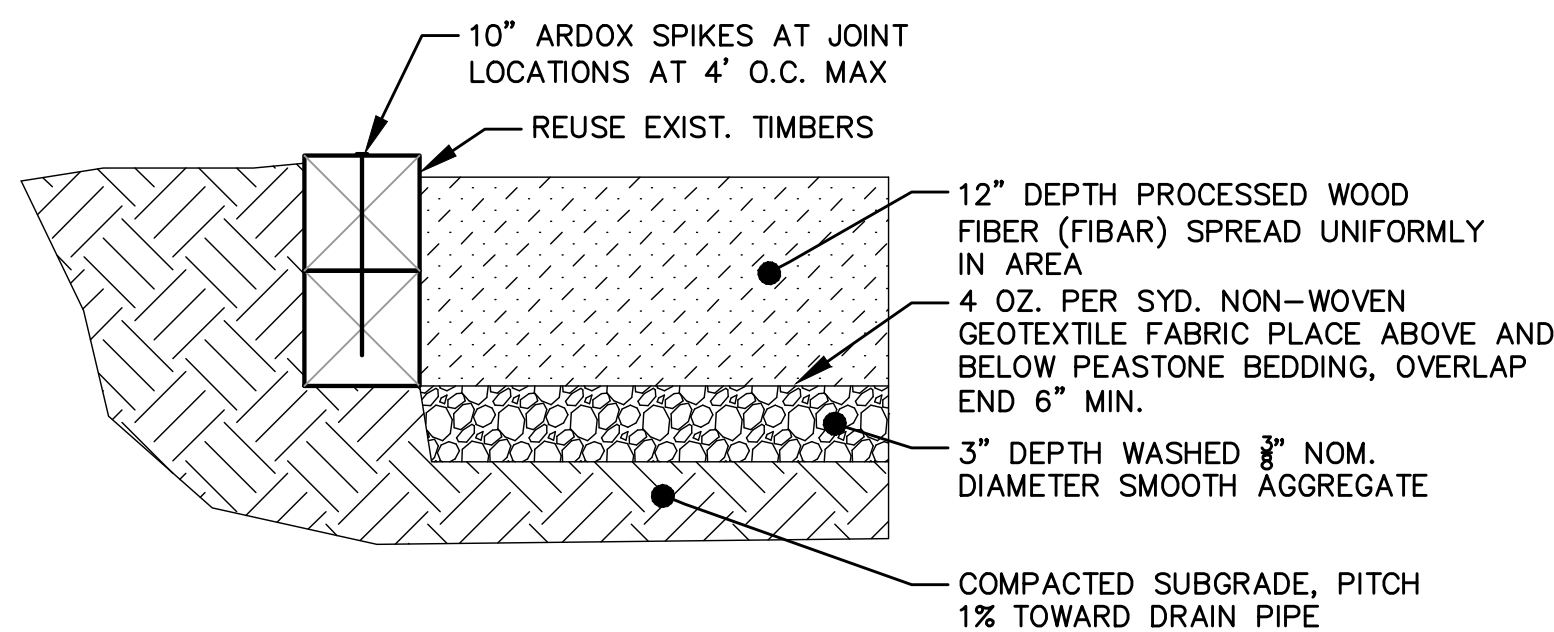
M:\Civil3d\_Proj\14041\Construction\PH1\14041DT.dwg Dwg Created: 30-May-14 - Regular b&w.ctb - Plot Date: 22-Jul-14



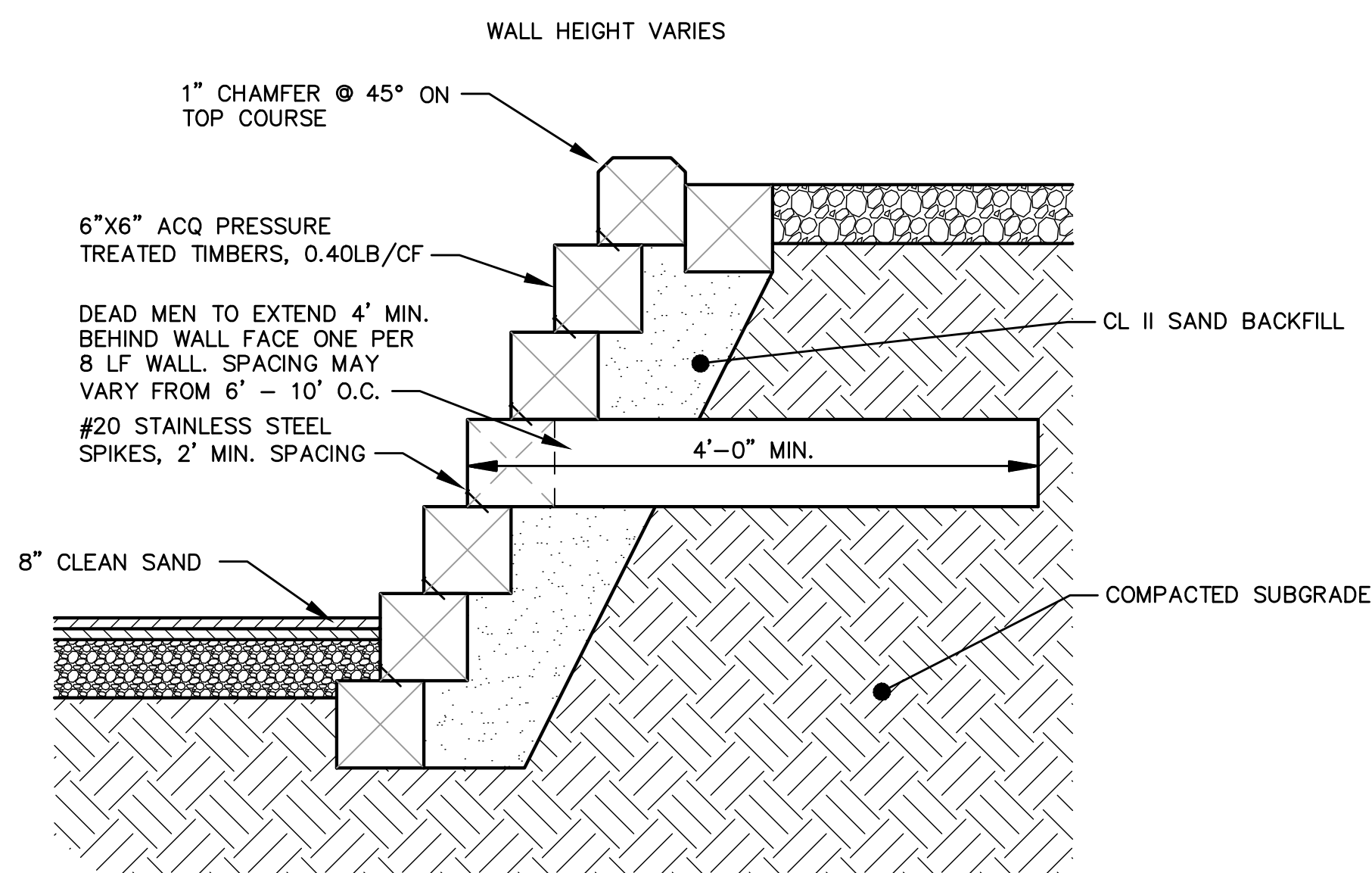
**BITUMINOUS ROAD PAVEMENT DETAIL**  
NOT TO SCALE



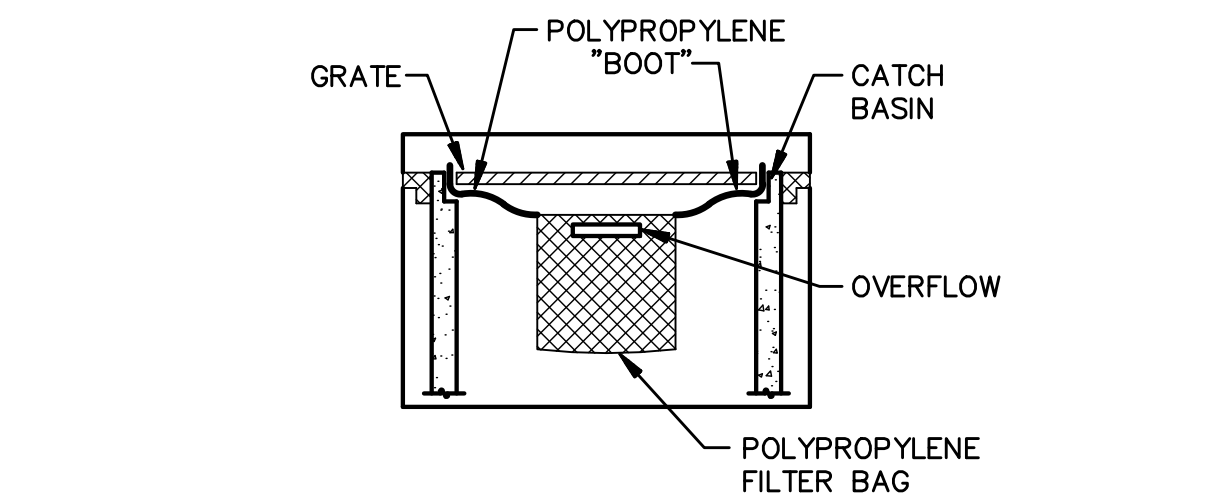
**BASKETBALL COURT AND TRACK PAVEMENT DETAIL**  
NOT TO SCALE



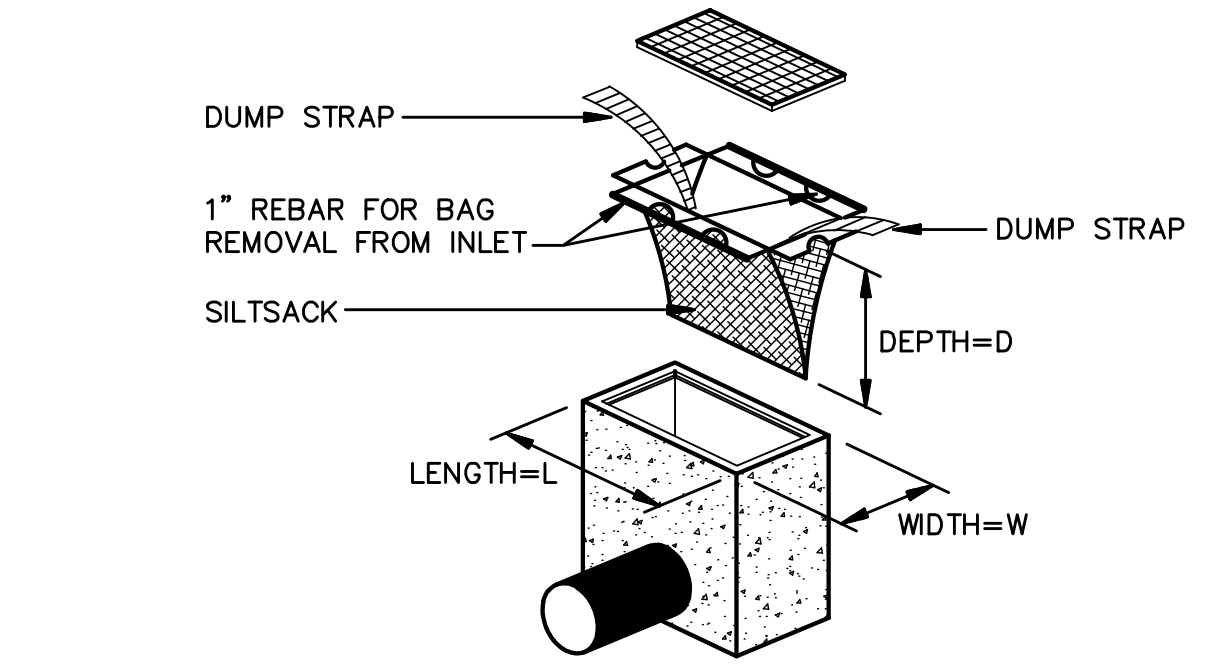
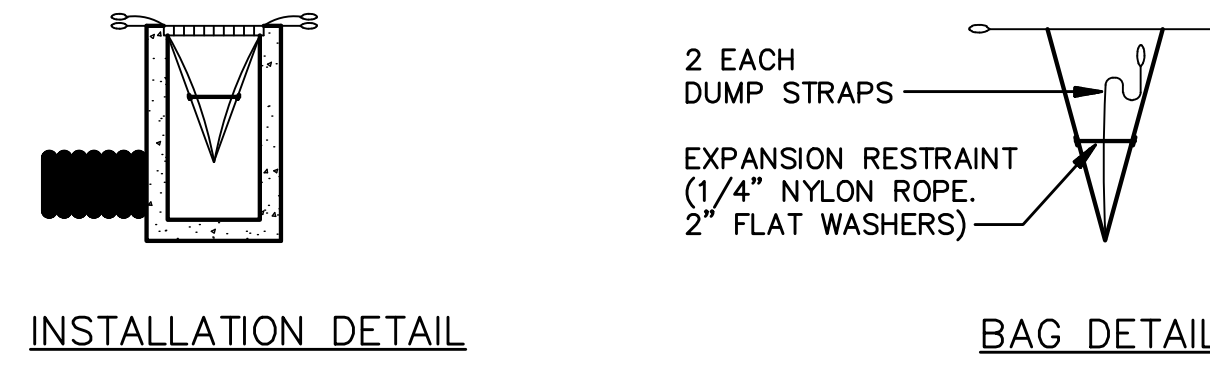
**PLAY AREA CROSS SECTION REPAIR**  
NO SCALE



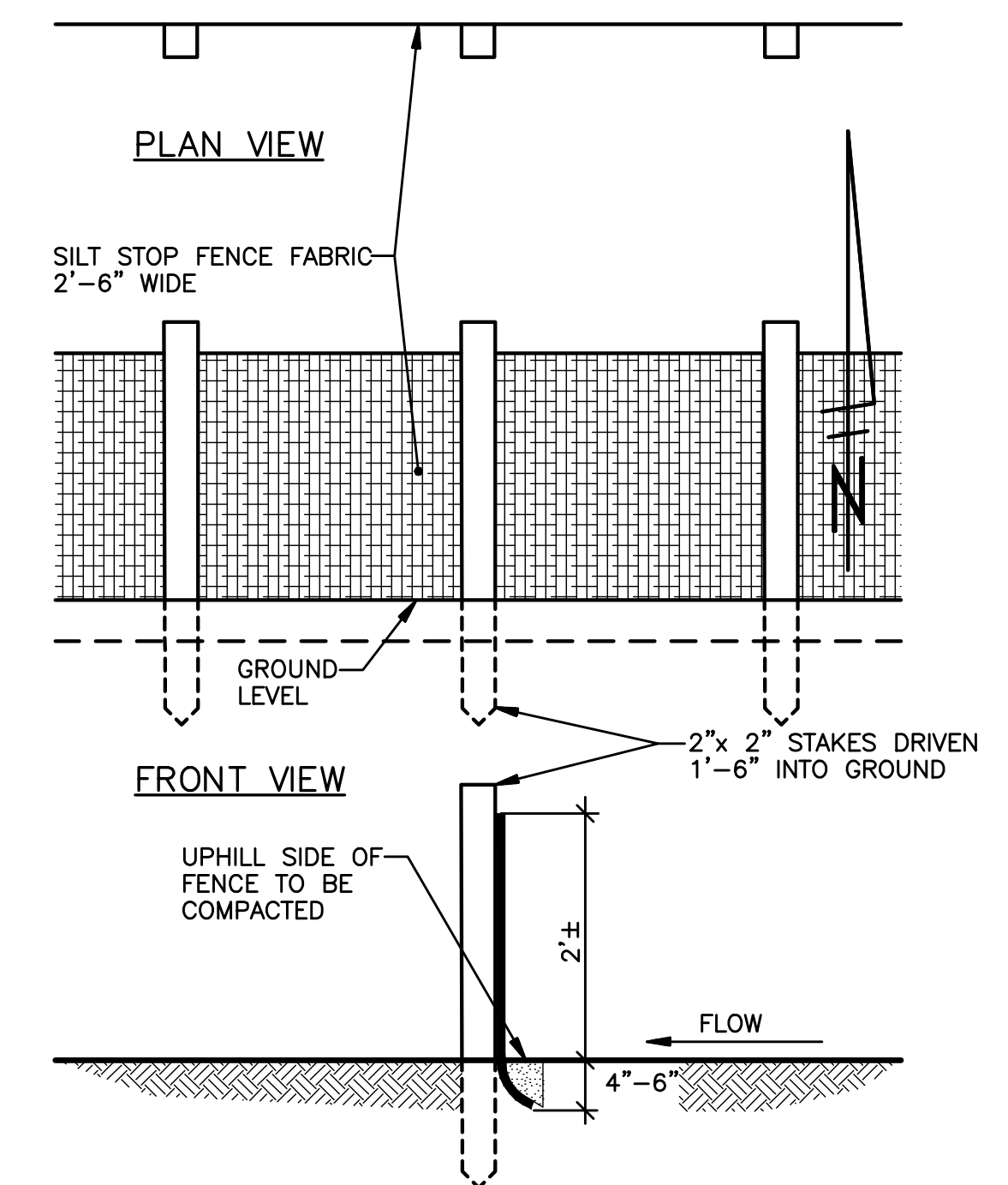
**WOOD RETAINING WALL DETAIL**  
NO SCALE



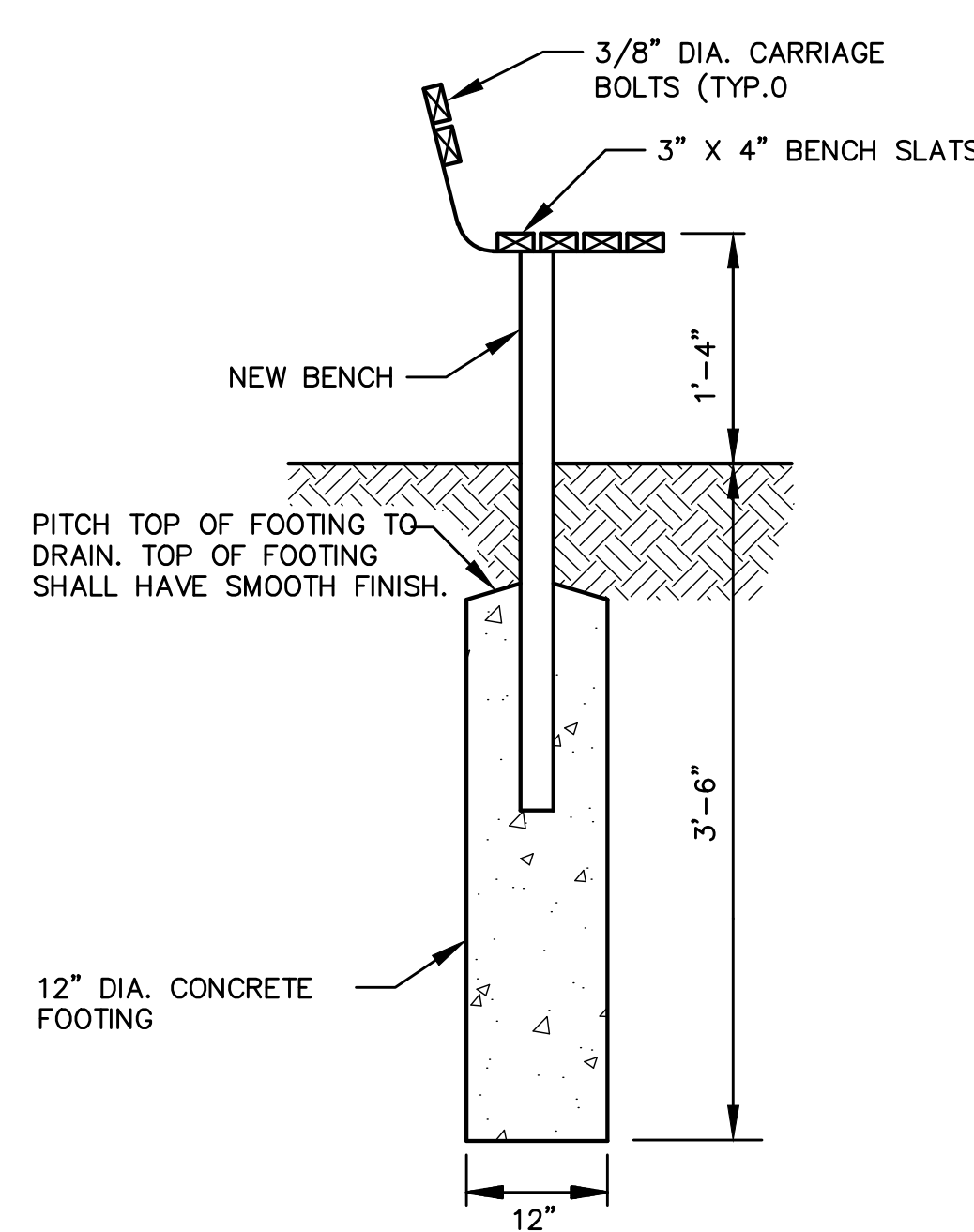
**NOTE:** TEMPORARY INLET SEDIMENT FILTER TO BE INSTALLED ON ALL PAVED CATCH BASINS OR STORM INLETS. INLET FILTER TO BE SIMILAR TO "STREAMGUARD" AS MANUFACTURED BY STORMWATER SERVICES CORPORATION (206-767-0441) OR "SILTSACK" AS MANUFACTURED BY ATLANTIC CONSTRUCTION FABRICS, INC.; (800-448-3636). CLEAN FILTER AS NEEDED.



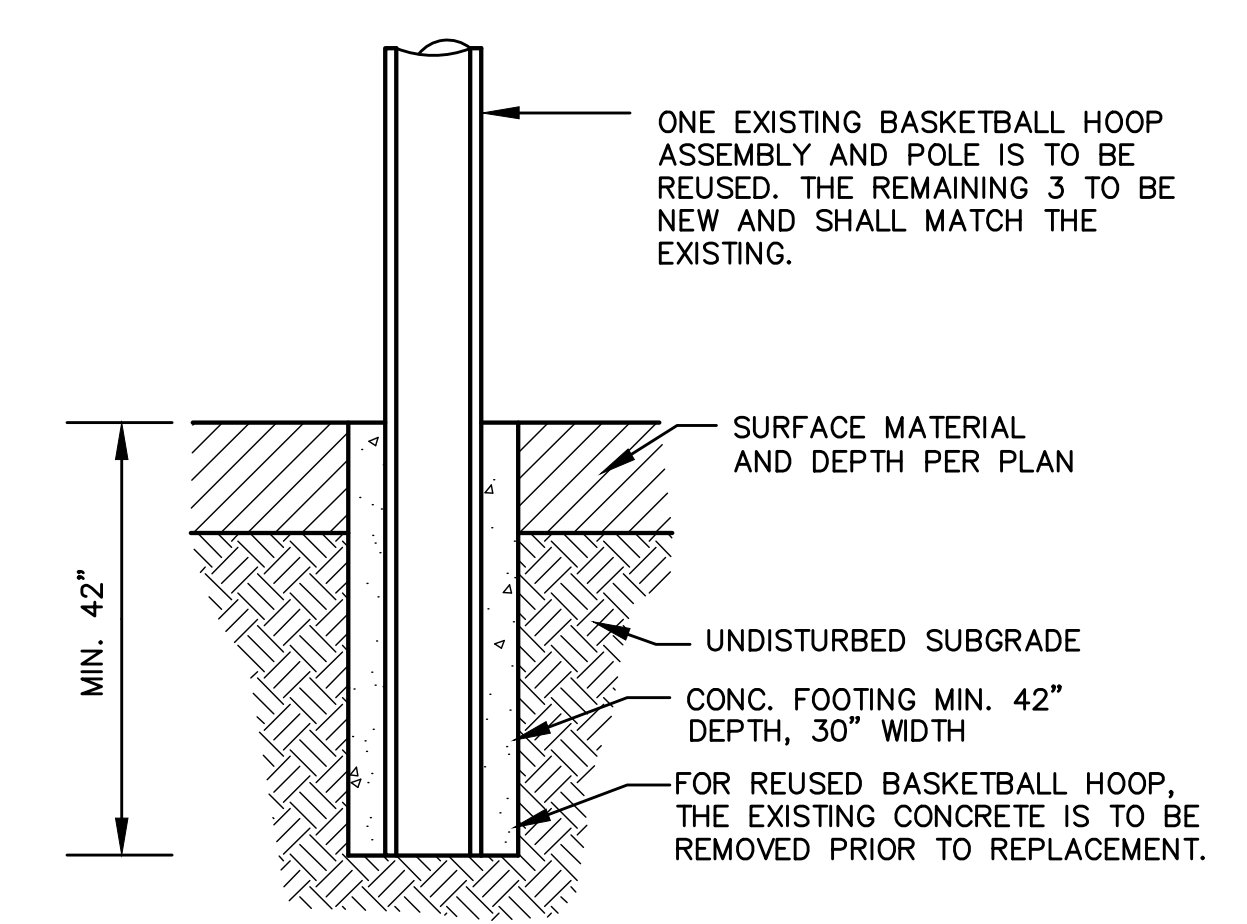
**SILT SACK DETAIL**  
NO SCALE




**SILT FENCE DETAIL**  
NO SCALE



**BENCH DETAIL**  
NO SCALE

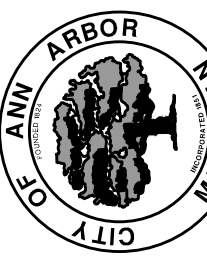


**BASKETBALL HOOP POLE DETAIL**  
NO SCALE



Know what's below.  
Call before you dig.

REV.	DESCRIPTION	DATE	DRAWN	CHECKED



**CITY OF ANN ARBOR  
PUBLIC SERVICE**  
301 EAST HURON STREET  
ANN ARBOR, MI 48107-8647  
734-799-6410  
www.a2gov.org

**PROJECT MANAGEMENT - PUBLIC SERVICES - CITY OF ANN ARBOR**  
**SUMMIT STREET**  
**18' WATER MAIN**  
**REPLACEMENT THROUGH WHEELER PARK**  
**DETAILS**

SCALE: PLAN: 1" = 20'  
PROFILE: N/A

DRAWING No. **2014-022-DT**

SHEET No. **6 OF 7**