

ADDENDUM No. 1

ITB No. 4664

Fiber and Conduit Construction for the DDA District Technology Park

Bids Due: March 19, 2021 by 2:00 P.M. (Local Time)

The information contained herein shall take precedence over the original documents and all previous addenda (if any) and is appended thereto. **This Addendum includes four (4) pages.**

Bidder is to acknowledge receipt of this Addendum No. 1, including all attachments (if any) in its Bid by so indicating on page ITB-1 of the Invitation to Bid Form. Bids submitted without acknowledgment of receipt of this addendum may be considered nonconforming.

The following forms provided within the ITB document should be included in submitted bids:

- City of Ann Arbor Prevailing Wage Declaration of Compliance
- City of Ann Arbor Living Wage Ordinance Declaration of Compliance
- Vendor Conflict of Interest Disclosure Form
- City of Ann Arbor Non-Discrimination Ordinance Declaration of Compliance

Bids that fail to provide these forms listed above upon bid opening may be rejected as non-responsive and may not be considered for award.

I. CORRECTIONS/ADDITIONS/DELETIONS

Changes to the Bid document which are outlined below are referenced to a page or Section in which they appear conspicuously. The Bidder is to take note in its review of the documents and include these changes as they may affect work or details in other areas not specifically referenced here.

All mentions As provided in ITB No. 4664 Bid Document:
Questions or Clarifications / Designated City Contacts
All questions shall be due on or before **February 24, 2021 no later than 5:00 p.m.**

As updated herein:
Questions or Clarifications / Designated City Contacts
All questions shall be due on or before **March 5, 2021 no later than 5:00 p.m.**

Comment: The Due Date and Time for questions on this ITB has been extended to March 5, 2021 at 5:00 p.m. (local time). Note that all other dates are unchanged. Please use the a2fiber@a2gov.org email address for specification/scope of work questions as outlined on Page IB-2 of the ITB Document.

II. QUESTIONS AND ANSWERS

The following Questions have been received by the City. Responses are being provided in accordance with the terms of the ITB. Bidders are directed to take note in their review of the documents of the following questions and City responses as they affect work or details in other areas not specifically referenced here.

Question 1: Would you please provide a fiber optic splicing plan showing the splicing details?

Answer 1: Please see the attached fiber splicing plan and a description below:

- a. Hub (Justice Center)
 - i. 4-backbone cables (1728 splices) plus an additional 288 splices will be required for termination into patch panels in the City of Ann Arbor Data Center (Justice Center). Total splices – 2,016.
- b. Reel end butt splices:
 - i. Estimated 22 will be required. Total butt splices required is 864.
- c. Parking Garages:
 - i. Involves splicing of 14 slice cases of 24 splices each for a total of 336 splices.
 - ii. 3 pair in and 3 pair out to each parking garage. Total splices 84.
 - iii. Splices for the parking garages– 420
- d. Total splices for entire project - 3300

Question 2: Is the Corning Optical “ Network of Preferred Installers “ a Firm Requirement to Bid on this Project ?

Answer 2: Yes, it is a firm requirement.

Question 3: How long does the city we expect the project to take?

Answer 3: The project could take up to 2 years. After award a project plan will need to be developed and agreed upon. At this time there are no pressing needs, but the connection to the city’s data center and the parking structures should take priority.

Question 4: What happens if restoration exceeds what is needed in the construction plans.

Answer 4: See Section 13 and 15 in the General Conditions sections of the ITB.

Question 5: Is it possible to extend the deadline for the questions?

Answer 5: Yes, the question deadline has been extended as outlined herein.

Question 6: On the Bid Form, do items #40 and #43 need to be a Corning product and meet Corning warranty specifications?

Answer 6: Yes, both Items #40 and #43 must be a Corning product and meet Corning warranty specifications.

Question 7: Can the City provide a list of who attended the pre-bid meeting?

Answer 7: See below.

Attendees:

- City of Ann Arbor:
 - Tom Shewchuk tshewchuk@a2gov.org
 - Dave Harris – City of Ann Arbor dharris@a2gov.org
- Corby Energy Services
 - Mark McVicar mmcvicar@corbyenergy.com

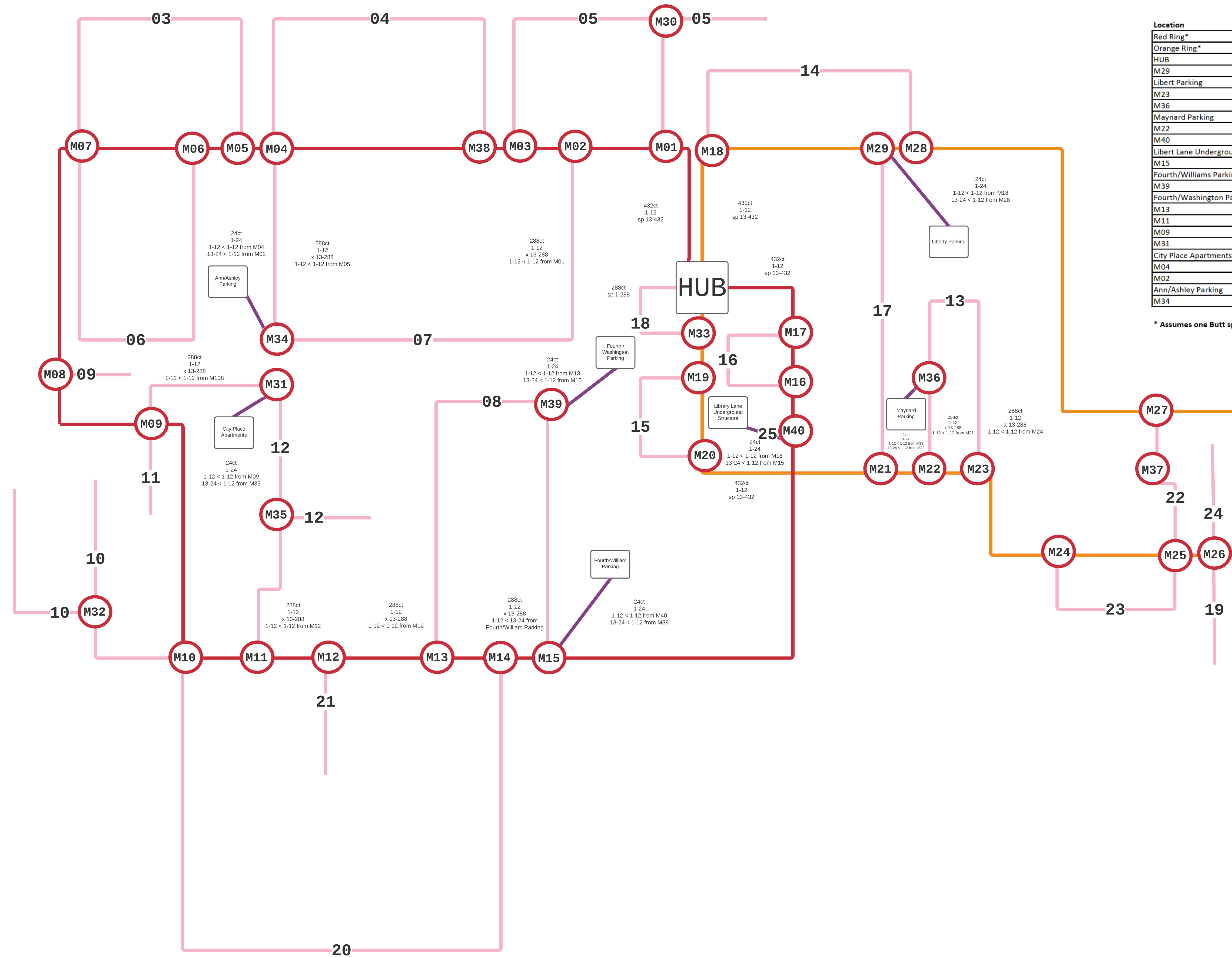
- Turnkey:
 - Rob Fisher rfisher@tkns.net
 - Warren Henderson whenderson@tkns.net
 - Brad Tobin btobin@tkns.net
 - John Jongekrijg jjongekrijg@tkns.net
- Magellan Advisors
 - Cole Henkle Chenkle@Magellan-Advisors.com
 - Clayton Johnson Cjohnston@Magellan-Advisors.com
- Tyme Consulting:
 - Ryan Mauck (e-mail unavailable)
 - Parwaiz Nur parwaizn@tymeengineering.com
- Integral Blue
 - Amir Mahmoudi amahmoudi@integral-blue.com

The following could not attend the meeting because the City failed to re-schedule the Zoom meeting when the date changed.

- Challenger Technologies, LLC.
 - Carl Wesolek cwesolek@challengertech.net
- Huron Valley Electric Co.
 - Doug Cundiff dcundiff@huronvalleyelectric.com
- Atlantic Engineering Group
 - Kara Hartman kara.hartman@aeq.cc

Bidders are responsible for any conclusions that they may draw from the information contained in the Addendum.

ANN ARBOR FIBER RING ONE LINE



Location	Length (FT)	HH's	Storage Length (FT)	Total Length (FT)	Splice Count
Red Ring*	9237	62	3100	12337	432
Orange Ring*	12276	47	2350	14626	432
HUB					2016
M29					24
Libert Parking					24
M23					12
M36					24
Maynard Parking					24
M22					12
M40					24
Libert Lane Underground Structure					24
M15					24
Fourth/Williams Parking					24
M39					24
Fourth/Washington Parking					24
M13					12
M11					12
M09					12
M31					24
City Place Apartments					24
M04					12
M02					12
Ann/Ashley Parking					24
M34					24

Total Splice Count
3300

* Assumes one Butt splice per 10,000FT

CABLES	
Parking Garage	24ct
Sub Rings	288ct
RING 01 - UM Route	432ct
RING 02 - Route 2	432ct

KEYMAP	
MCA	

