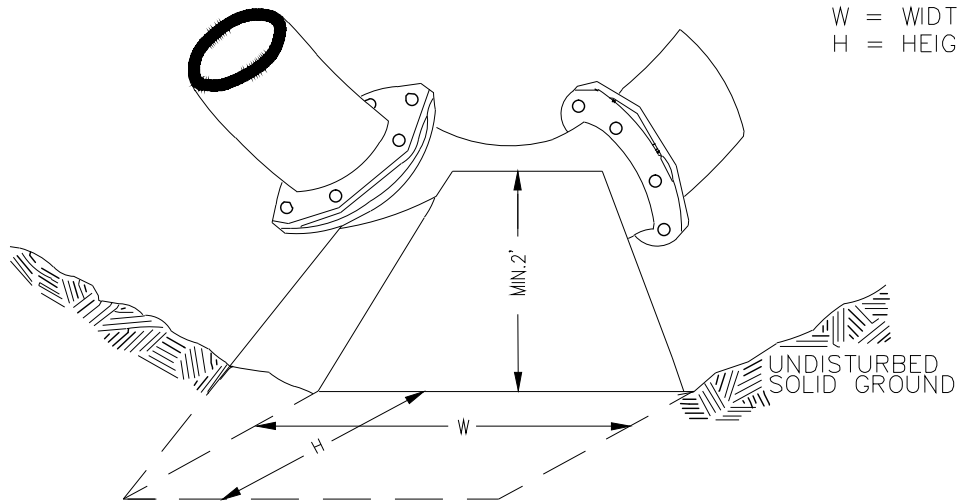


MINIMUM STANDARDS


REACTION BACKING: The Class "A" concrete at the Fitting face shall extend to within (2) inches of the bell and shall extend from the fitting face a minimum of (2) feet to the UNDISTURBED SOLID GROUND. The dimensions of the reaction backing (thrust block) at the face of the undisturbed solid ground shall be as shown in the Table below. If there isn't sufficient space for the installation of the "thrust block" without interference with other services, another arrangement satisfactory to the engineer shall be used, i.e. encasement.

Fittings I.D. Inches	Plug Tee Cross		Bends								Hydrant	
			90°		45°		22 1/2°		11 1/4°			
	W	H	W	H	W	H	W	H	W	H	W	H
2.5	1	1	1	1	1	1						
4	1	1	1	1	1	1						
6	2	1.5	2	2	2	1	1	1	1	1	1	2 1.5
8	2.5	2	3.5	2	2	2	2	1	1	1	1	2.5 2
12	3.5	3	5.5	3	3.5	2.5	2	2	2	1		
16	6	3.5	6	4	5	3	3.5	2.5	2	2		
20	8	4	12	4	6	4	4	3	3	2		
24	11	4	17	4	9	4	6	4	3.5	2		



W = WIDTH IN FEET
H = HEIGHT IN FEET

NOTE: THESE ARE MINIMUM STANDARDS. WHERE SOIL CONDITIONS DICTATE, ADJUSTMENTS IN SIZE SHALL BE MADE BY THE PUBLIC SERVICES DIRECTOR.

REVISIONS					REV. NO.	DR. BY	CH. BY	DATE
PUBLIC SERVICES DEPARTMENT CITY OF ANN ARBOR								
THRUST BLOCK								
DR. BY	D.F.	CH. BY	C.S.S.	DRAWING NO.				
SCALE	NONE	DATE	11-6-92	SD-W-2				
INCH	0  1			SHEET NO. ____ OF ____				