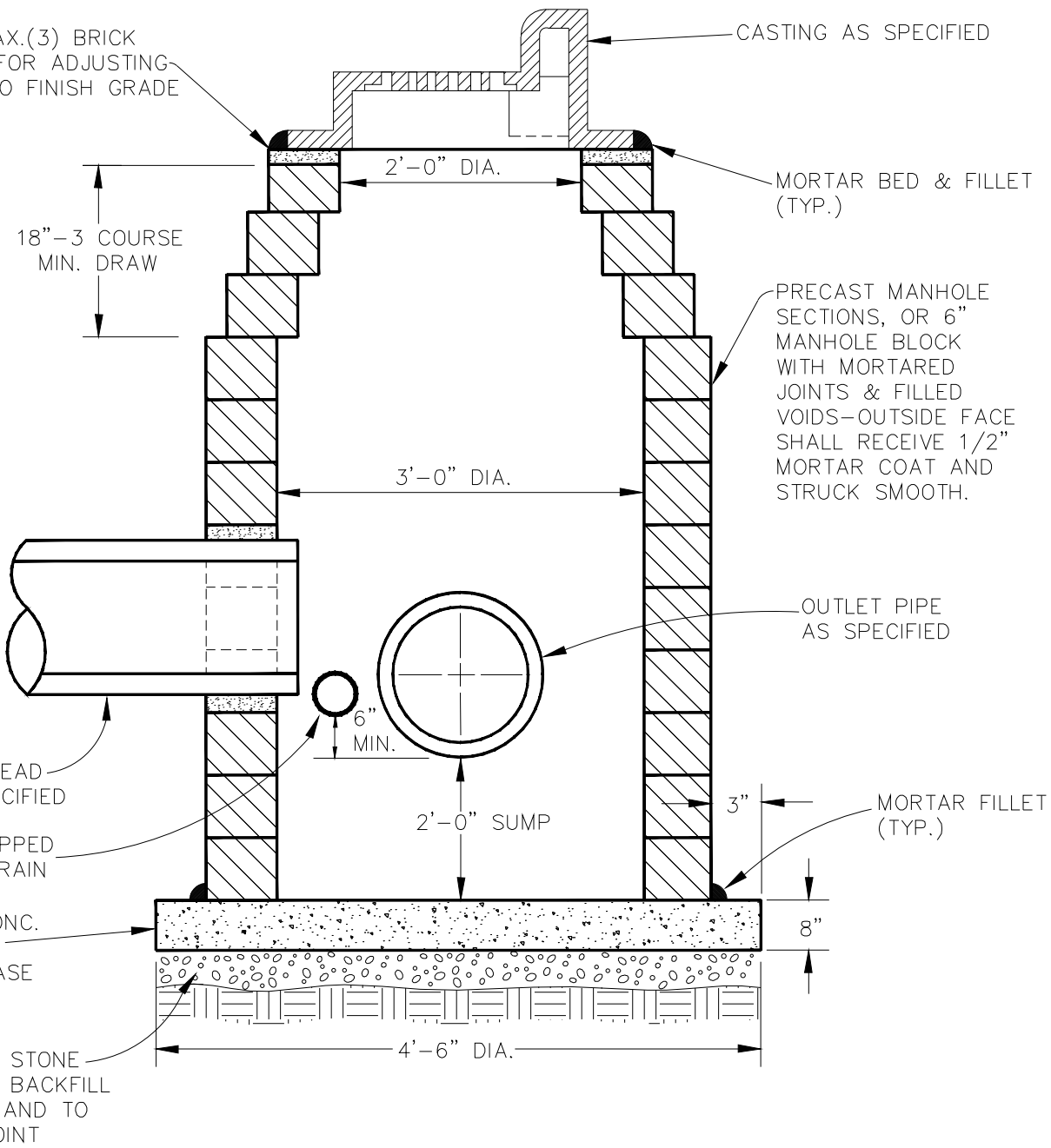


MIN.(1)-MAX.(3) BRICK COURSES FOR ADJUSTING CASTING TO FINISH GRADE



CASTING AS SPECIFIED

MORTAR BED & FILLET (TYP.)

18"-3 COURSE MIN. DRAW

PRECAST MANHOLE SECTIONS, OR 6" MANHOLE BLOCK WITH MORTARED JOINTS & FILLED VOIDS-OUTSIDE FACE SHALL RECEIVE 1/2" MORTAR COAT AND STRUCK SMOOTH.

3'-0" DIA.

OUTLET PIPE AS SPECIFIED

INLET LEAD AS SPECIFIED

6" MIN.

6" WRAPPED EDGE DRAIN

2'-0" SUMP

MORTAR FILLET (TYP.)

CLASS 'A' CONC. OR PRECAST CONCRETE BASE

3"

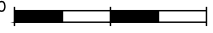
8"

MIN. 4" 21AA STONE BEDDING AND BACKFILL UNDER BASE AND TO FIRST PIPE JOINT

4'-6" DIA.

NOTE: SHALL BE USED IF SINGLE OUTLET PIPE AND SINGLE INLET PIPE.

NOTE: FRONT EDGE OF INLET CASTING SHALL BE FLUSH WITH FRONT EDGE OF GUTTER (EDGE-OF-METAL)

REVISIONS					REV. NO.	DR. BY	CH. BY	DATE
PUBLIC SERVICES DEPARTMENT CITY OF ANN ARBOR								
INLET-JUNCTION CHAMBER								
DR. BY	DF/SMJ	CH. BY	CSS/DF	DRAWING NO.				
SCALE	NONE	DATE	11/6/92	SD-S-9				
INCH	0  1			SHEET NO. _____ OF _____				