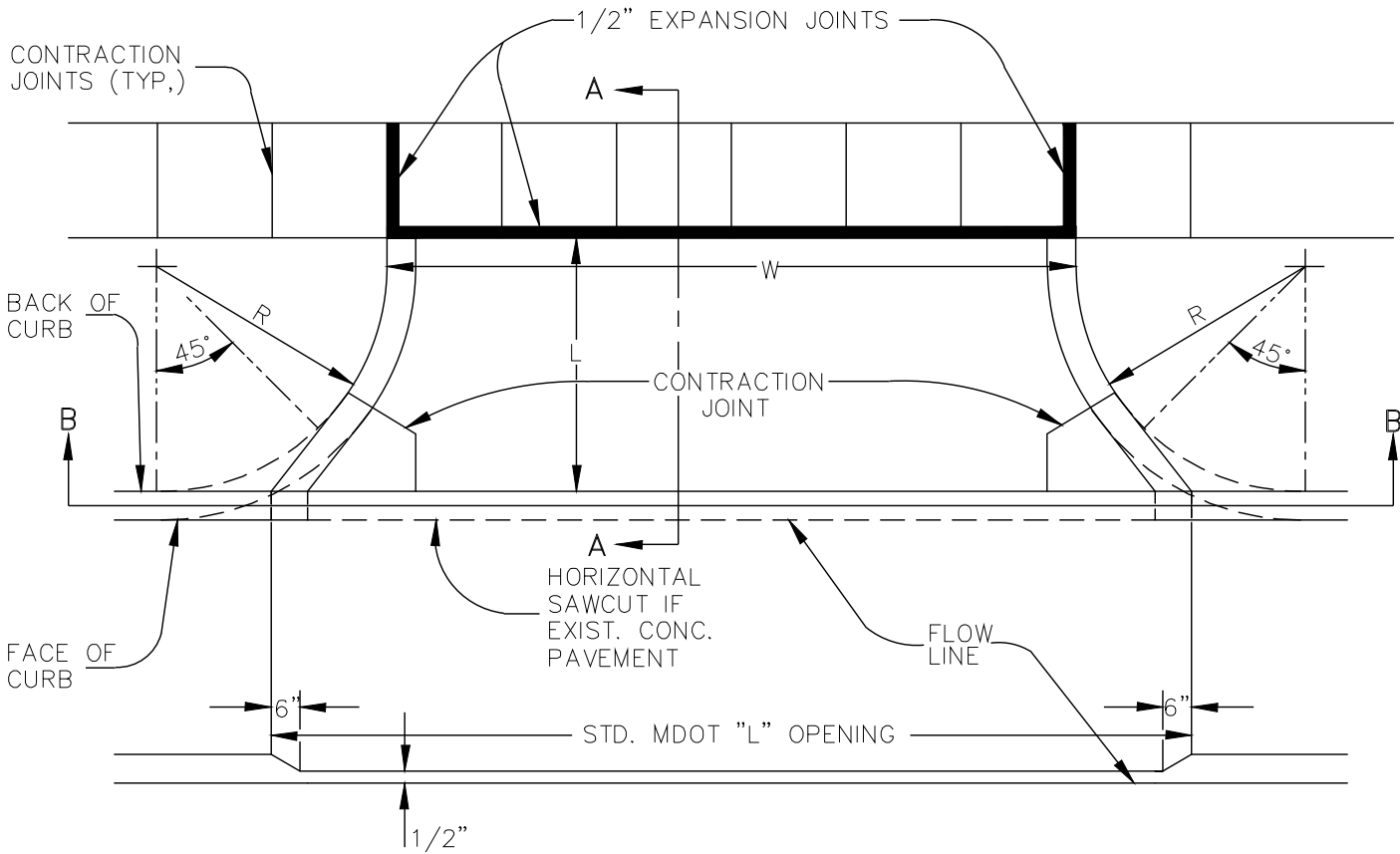


SEC. A - A



SEC. B - B

MEASUREMENT OF AREA:
W x L = AREA

NOTE: R(RADIUS) AND W(DRIVE WIDTH) AS REQUIRED FOR ZONING BY CITY CODE.

NOTE: DRIVE APPROACH TO BE CLASS 'A' CONCRETE.

S/W GRADE; SEC B-B DIMENSIONS					1	NCF	CSS	1-31-94
REVISIONS					REV. NO.	DR. BY	CH. BY	DATE
PUBLIC SERVICES DEPARTMENT CITY OF ANN ARBOR								
MODIFIED 'M' DRIVE APPROACH (FOR USE ON CONCRETE STREETS WITH BARRIER CURB)								
DR. BY	DF/DCO	CH. BY	CSS/DF	DRAWING NO.				
SCALE	NONE	DATE	11-6-92	SD-R-8				
INCH	0 1			SHEET NO. _____ OF _____				