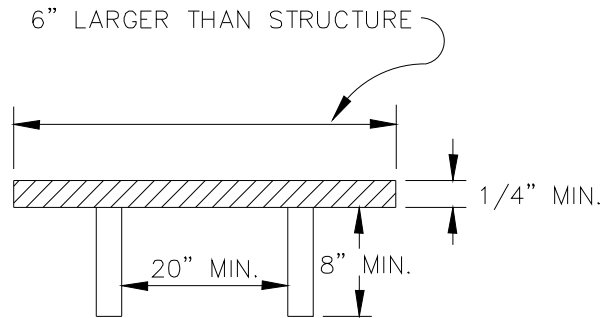


NOTE: PLATE MAY BE CIRCULAR, SQUARE OR RECTANGULAR

SECTION A - A



1/4" MIN. THICKNESS AND SUFFICIENT TO CARRY THE CONSTRUCTION LOAD.

REVISIONS		REV. NO.	DR. BY	CH. BY	DATE
PUBLIC SERVICES DEPARTMENT CITY OF ANN ARBOR					
STRUCTURE PLATE					
DR. BY	DF	CH. BY	CSS	DRAWING NO.	
SCALE	NONE	DATE	11-6-92	SD-GU-8	
INCH				SHEET NO. ____ OF ____	