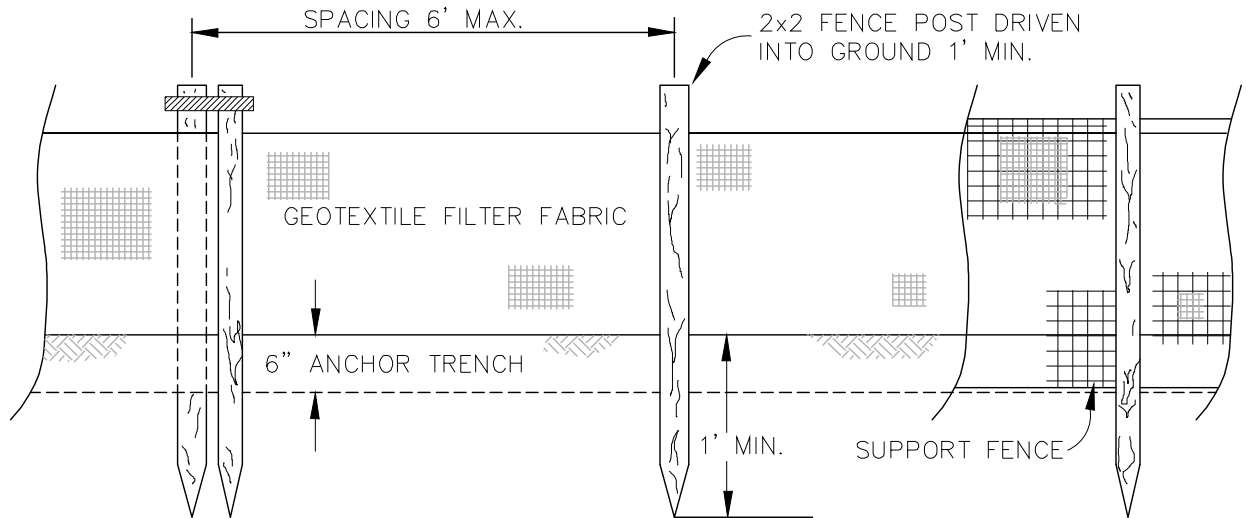
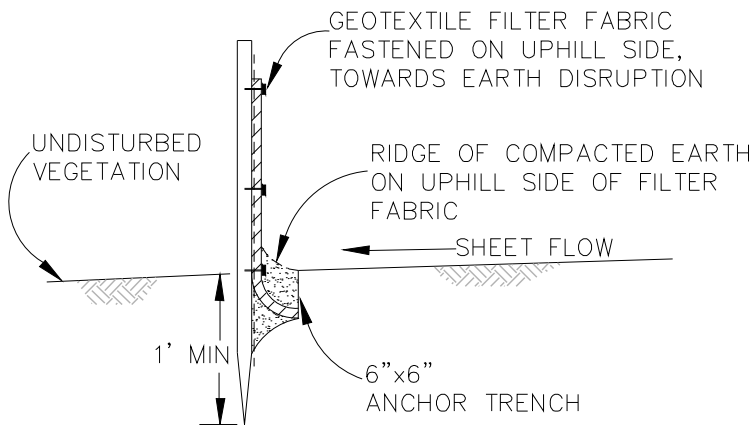


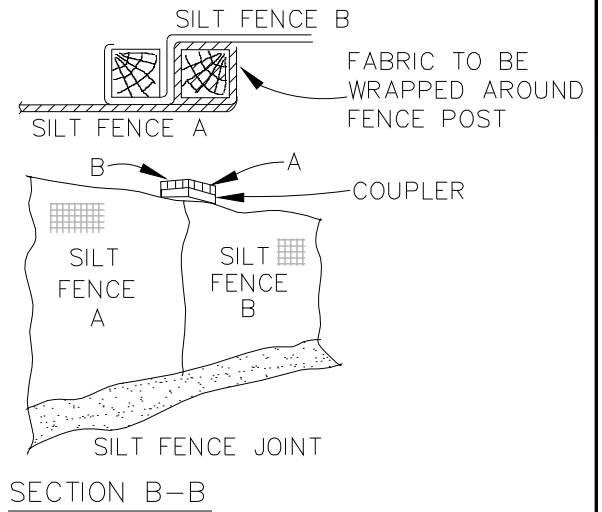
PLAN VIEW




FRONT VIEW



SECTION A-A



SECTION B-B

REVISIONS					REV. NO.	DR. BY	CH. BY	DATE
<b>PUBLIC SERVICES DEPARTMENT CITY OF ANN ARBOR</b>								
SILT FENCE								
DR. BY	DF/SMJ	CH. BY	CSS/DF	DRAWING NO.				
SCALE	NONE	DATE	11-6-92	SD-EC-3				
INCH	0  1			SHEET NO. ____ OF ____				