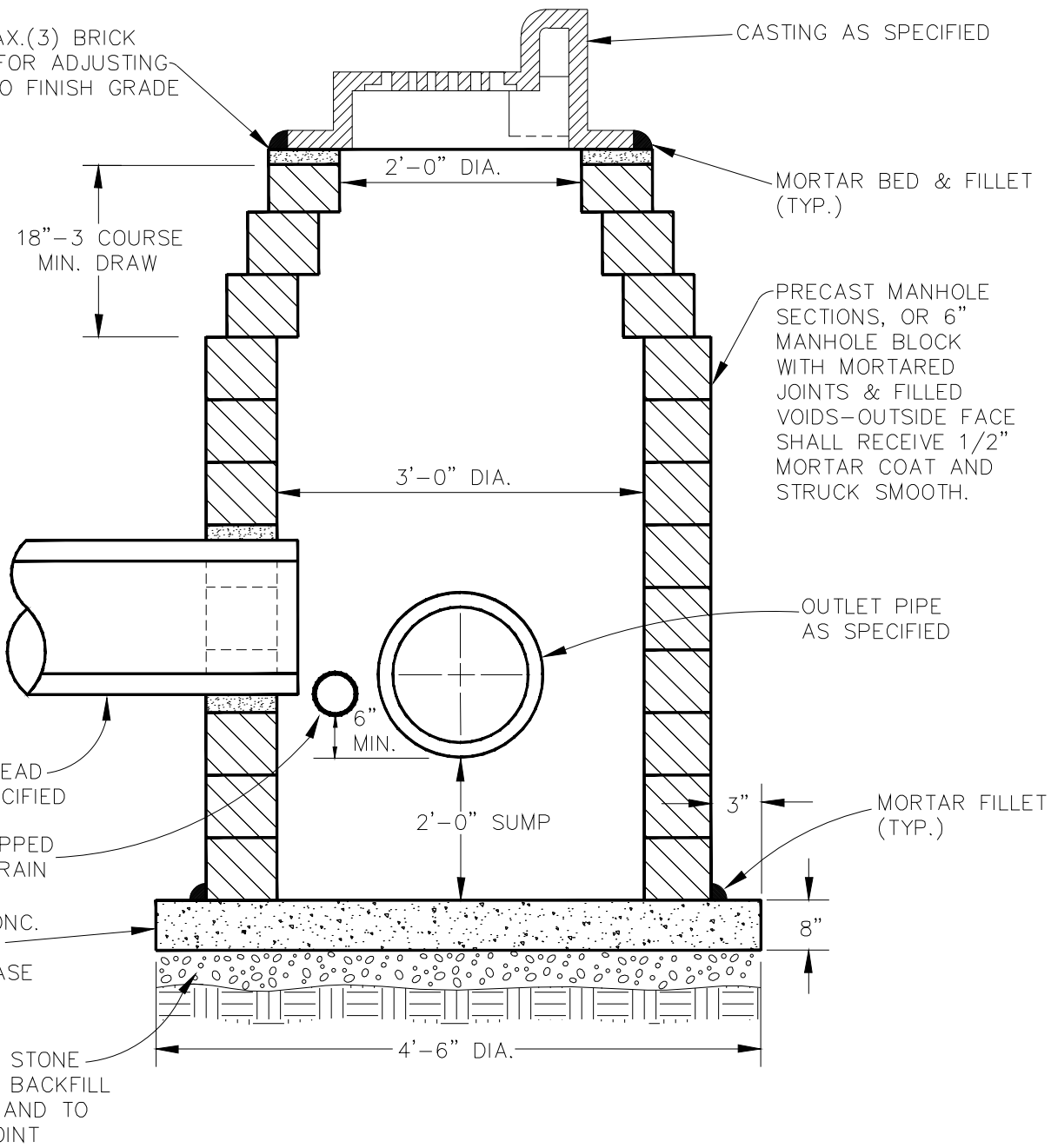
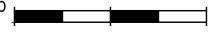


MIN.(1)-MAX.(3) BRICK COURSES FOR ADJUSTING CASTING TO FINISH GRADE



NOTE: SHALL BE USED IF SINGLE OUTLET PIPE AND SINGLE INLET PIPE.

NOTE: FRONT EDGE OF INLET CASTING SHALL BE FLUSH WITH FRONT EDGE OF GUTTER (EDGE-OF-METAL)

REVISIONS					REV. NO.	DR. BY	CH. BY	DATE
<b>PUBLIC SERVICES DEPARTMENT CITY OF ANN ARBOR</b>								
INLET-JUNCTION CHAMBER								
DR. BY	DF/SMJ	CH. BY	CSS/DF	DRAWING NO.				
SCALE	NONE	DATE	11/6/92	SD-S-9				
INCH	0  1			SHEET NO. _____ OF _____				