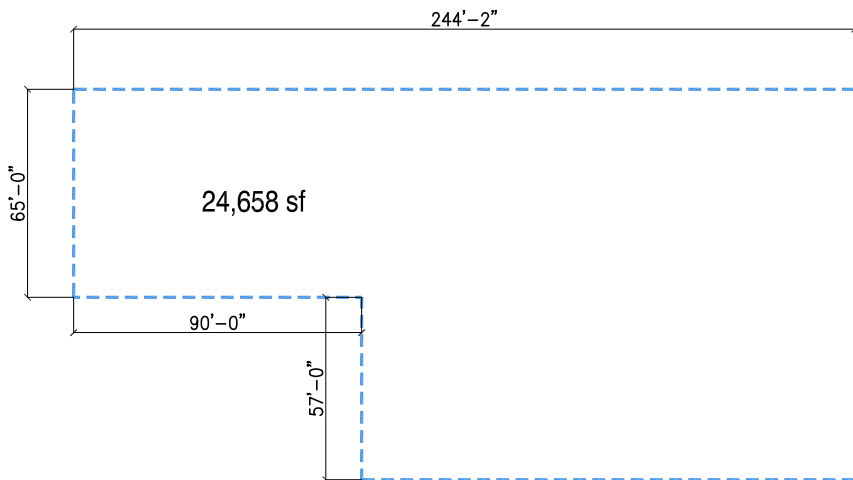
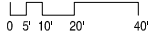
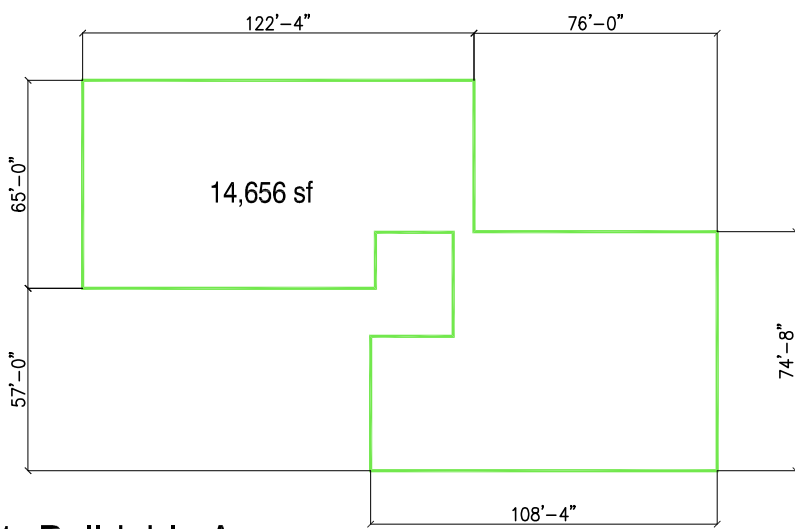
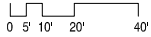


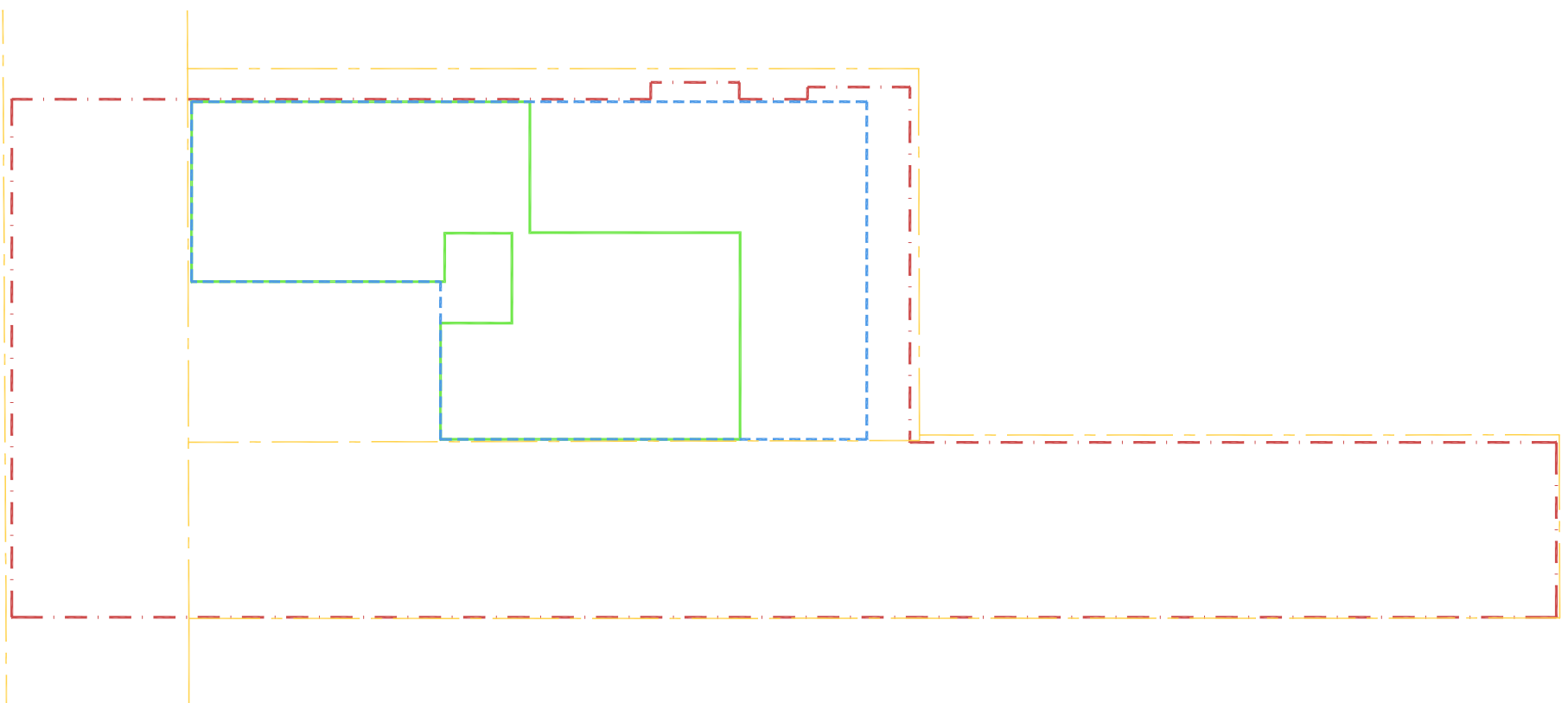
Level 5 + Buildable Area



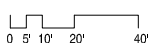
Level 2-4 Buildable Area



Level 1- Buildable Area



Site Composite



- Property Line/ ROW Line ---
- Parking Deck Below ---
- Level 1 Buildable Area —
- Level 2-4 Buildable Area ---
- Level 5+ Buildable Area ----

Note:
For the purposes of this sketch, the buildable area lines shown assume a 2'-0" offset from the parking deck column lines, typical.